

DigitalFlow™ XGM868i

General-Purpose Gas Flow Transmitter (1 & 2 Channel)

Startup Guide



DigitalFlow™ XGM868i

General-Purpose Gas Flow Transmitter (1 & 2 Channel)

Startup Guide

910-197U Rev. F1
February 2016



www.gemeasurement.com

©2016 General Electric Company. All rights reserved.
Technical content subject to change without notice.

[no content intended for this page]

Information Paragraphs

Note: *These paragraphs provide information that provides a deeper understanding of the situation, but is not essential to the proper completion of the instructions.*

IMPORTANT: *These paragraphs provide information that emphasizes instructions that are essential to proper setup of the equipment. Failure to follow these instructions carefully may cause unreliable performance.*



CAUTION! This symbol indicates a risk of potential minor personal injury and/or severe damage to the equipment, unless these instructions are followed carefully.



WARNING! This symbol indicates a risk of potential serious personal injury, unless these instructions are followed carefully.

Safety Issues



WARNING! It is the responsibility of the user to make sure all local, county, state and national codes, regulations, rules and laws related to safety and safe operating conditions are met for each installation. The safety of any system incorporating the equipment is the responsibility of the assembler of the system.

Auxiliary Equipment

Local Safety Standards

The user must make sure that he operates all auxiliary equipment in accordance with local codes, standards, regulations, or laws applicable to safety.

Working Area



WARNING! Auxiliary equipment may have both manual and automatic modes of operation. As equipment can move suddenly and without warning, do not enter the work cell of this equipment during automatic operation, and do not enter the work envelope of this equipment during manual operation. If you do, serious injury can result.



WARNING! Make sure that power to the auxiliary equipment is turned OFF and locked out before you perform maintenance procedures on the equipment.

Qualification of Personnel

Make sure that all personnel have manufacturer-approved training applicable to the auxiliary equipment.

Personal Safety Equipment

Make sure that operators and maintenance personnel have all safety equipment applicable to the auxiliary equipment. Examples include safety glasses, protective headgear, safety shoes, etc.

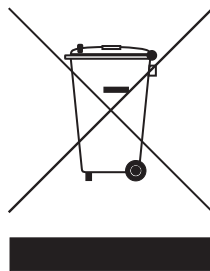
Unauthorized Operation

Make sure that unauthorized personnel cannot gain access to the operation of the equipment.

Environmental Compliance

Waste Electrical and Electronic Equipment (WEEE) Directive

GE Measurement & Control is an active participant in Europe's *Waste Electrical and Electronic Equipment* (WEEE) take-back initiative, directive 2012/19/EU.



The equipment that you bought has required the extraction and use of natural resources for its production. It may contain hazardous substances that could impact health and the environment.

In order to avoid the dissemination of those substances in our environment and to diminish the pressure on the natural resources, we encourage you to use the appropriate take-back systems. Those systems will reuse or recycle most of the materials of your end life equipment in a sound way.

The crossed-out wheeled bin symbol invites you to use those systems.

If you need more information on the collection, reuse and recycling systems, please contact your local or regional waste administration.

Visit www.gemeasurement.com/environmental-health-safety-ehs for take-back instructions and more information about this initiative.

Chapter 1. Installation

1.1 Introduction 1

1.2 Unpacking 1

1.3 Site Considerations 2

 1.3.1 Electronics Enclosure Location 2

 1.3.2 Flowcell Location 3

 1.3.3 Transducer Location 3

 1.3.4 Cable Lengths 3

 1.3.5 Temperature and Pressure Transmitters 3

 1.3.6 Transducer Cables 3

1.4 Installing a Flowcell 4

1.5 Installing Temperature and Pressure Transmitters 4

1.6 Mounting the XGM868i Electronics Enclosure 5

1.7 Making the Electrical Connections 5

 1.7.1 Wiring the Line Power 7

 1.7.2 Wiring the Transducers 8

 1.7.3 Wiring Std 0/4-20 mA Analog Outputs 10

 1.7.4 Wiring the Serial Port 11

 1.7.5 Wiring the Option Cards 14

Chapter 2. Initial Setup

2.1 Introduction 29

2.2 Programming Methods 29

2.3 The XGM868i Enclosure Keypad 30

2.4 Entering Data in the Global Menu 32

 2.4.1 Entering Global System Data 32

2.5 Activating a Channel 35

2.6 Entering System Data for the Channel 36

2.7 Entering Transducer and Pipe Parameters 37

 2.7.1 Special Transducers 38

 2.7.2 Pipe Data 38

Chapter 3. Operation

3.1 Introduction 43

3.2 Powering Up 44

3.3 The LCD Display 45

3.4 The Optional PanaView Display 46

3.5 Taking Measurements 47

 3.5.1 Programming the LCD 47

 3.5.2 Using the LCD Display 49

 3.5.3 PanaView Display 50

 3.5.4 Pausing Measurement 53

Chapter 4. Specifications

4.1 General Specifications 55

 4.1.1 Hardware Configuration 55

 4.1.2 Environmental 55

 4.1.3 Velocity Accuracy 55

 4.1.4 Velocity Range 56

 4.1.5 Rangeability 56

 4.1.6 Repeatability 56

4.2 Electrical Specifications 56

 4.2.1 Power Supply 56

 4.2.2 Power Consumption 56

 4.2.3 Operating Mode 56

 4.2.4 European Compliance 56

 4.2.5 Input/Output Specifications 57

 4.2.6 Preamplifier 58

4.3 Flow Transducer Specifications 58

 4.3.1 Physical 58

 4.3.2 Area Classifications 58

4.4 Flowcell Specifications 59

 4.4.1 Spoolpiece 59

 4.4.2 Cold Tap 59

 4.4.3 Pipe Size & Materials 59

Appendix A. CE Mark Compliance

A.1 Introduction 61

A.2 Wiring 61

Appendix B. Data Records

B.1 Available Option Cards 63

B.2 Option Cards Installed 64

B.3 Setup Data 65

Appendix C. Measuring P and L Dimensions

C.1 Introduction 69

C.2 Measuring P and L 69

Chapter 1. Installation

1.1 Introduction

To ensure safe and reliable operation of the Model XGM868i Ultrasonic Flow Transmitter, the system must be installed in accordance with the guidelines established by GE engineers. Those guidelines, which are explained in detail in this chapter, include the following specific topics:

- Unpacking the Model XGM868i system
- Selecting suitable sites for the electronics enclosure and the flowcell/transducers
- Installing the flowcell/transducers

Note: *See the enclosed Transducer Installation Guide for detailed instructions on transducer installation.*

- Installing optional temperature and pressure transmitters
- Installing the electronics enclosure
- Wiring the electronics enclosure

WARNING! The Model XGM868i flow transmitter can measure the flow rate of many gases, some of which are potentially hazardous. In such cases, the importance of proper safety practices cannot be overemphasized.

Be sure to follow all applicable local safety codes and regulations for installing electrical equipment and working with hazardous gases or flow conditions. Consult company safety personnel or local safety authorities to verify the safety of any procedure or practice.

!ATTENTION EUROPEAN CUSTOMERS!

To meet CE Mark requirements, all cables must be installed as described in Appendix A, *CE Mark Compliance*.

1.2 Unpacking

Carefully remove the electronics enclosure, the transducers, and the cables from the shipping containers. Before discarding any of the packing materials, account for all components and documentation listed on the packing slip. The discarding of an important item along with the packing materials is all too common. If anything is missing or damaged, contact the factory immediately for assistance.

1.3 Site Considerations

Because the relative location of the flowcell and the electronics enclosure is important, use the guidelines in this section to plan the XGM868i installation. Figure 1 shows a typical XGM868i enclosure and spoolpiece ready for insertion into a process line.

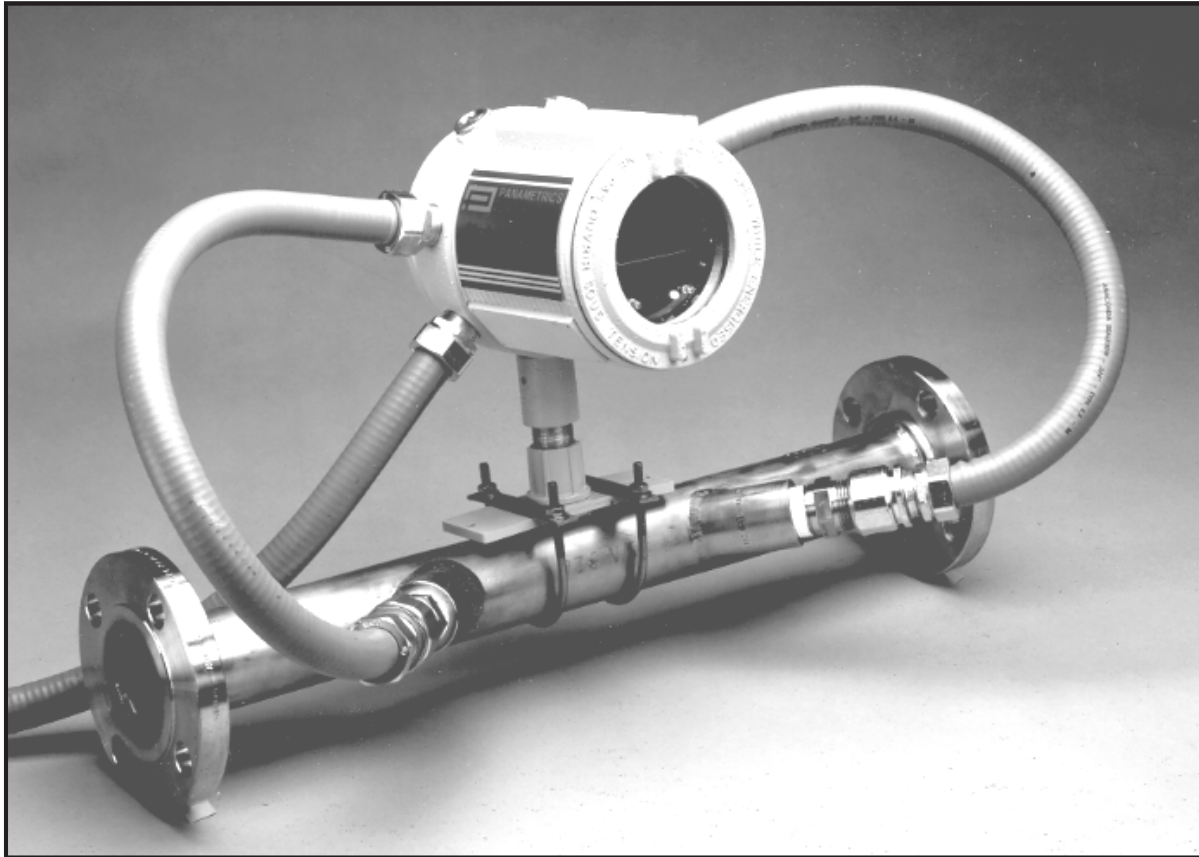


Figure 1: A Typical Model XGM868i System

1.3.1 Electronics Enclosure Location

The standard Model XGM868i electronics enclosure is a powder-coated, cast-aluminum, Type-7/4X explosion-proof enclosure; an optional stainless-steel enclosure is available. Typically, the enclosure is mounted as close as possible to the transducers. When choosing a site, make sure the location permits easy access to the electronics enclosure for programming, maintenance and service.

Note: *For compliance with the European Union's Low Voltage Directive (2006/95/EC), this unit requires an external power disconnect device such as a switch or circuit breaker. The disconnect device must be marked as such, clearly visible, directly accessible, and located within 1.8 m (6 ft) of the Model XGM868i.*

1.3.2 Flowcell Location

The pipeline flowcell consists of the flow rate transducers and any pressure and/or temperature transducers employed as part of the flow measurement system. Ideally, choose a section of pipe with unlimited access to the flowcell; for example, a long stretch of pipe that is above ground. However, if the flowcell is to be mounted on an underground pipe, dig a pit around the pipe to facilitate installation of the transducers.

1.3.3 Transducer Location

For a given fluid and pipe, the Model XGM868i's accuracy depends primarily on the location and alignment of the transducers. In addition to accessibility, when planning for transducer location, adhere to the following guidelines:

1. Locate the transducers so that there are at least 20 pipe diameters of straight, undisturbed flow upstream and 10 pipe diameters of straight, undisturbed flow downstream from the measurement point. To ensure undisturbed flow, avoid sources of turbulence in the fluid such as valves, flanges, expansions and elbows; and dips or low spots in which condensed liquid may collect.
2. Because condensate or sediment at the bottom of the pipe may cause attenuation of the ultrasonic signal, locate the transducers on the side of a horizontal pipe, when possible. If limited pipe access necessitates top-mounted transducers and the sound beam path includes a reflection, shift the transducers to at least 10° off top dead center. This will minimize the influence of any sediment on the reflected ultrasonic signals.

1.3.4 Cable Lengths

Locate the electronics enclosure as close as possible to the flowcell/transducers, preferably directly on the flowcell. However, the factory can supply transducer cables up to 1,000 ft (300 m) in length for remote location of the electronics enclosure. If longer cables are required, consult the factory for assistance.

1.3.5 Temperature and Pressure Transmitters

When installing temperature and/or pressure transmitters in the flowcell, locate them downstream of the transducers. These transmitters should be positioned no closer to the Model XGM868i transducers than 2 pipe diameters and no further away from the transducers than 20 pipe diameters.

1.3.6 Transducer Cables

When installing the transducer cables, always observe established standard practices for the installation of electrical cables. Specifically, do not route transducer cables alongside high-amperage AC power lines or any other cables that could cause electrical interference. Also, protect the transducer cables and connections from the weather and corrosive atmospheres.

Note: *When using non-GE cables to connect the flow rate transducers to the Model XGM868i electronics enclosure, the cables must have electrical characteristics identical to the GE cables. Type RG62 a/u coaxial cable should be used, and each cable must be the same length (within ±4 in.).*

1.4 Installing a Flowcell

A flowcell is the section of pipe where the transducers are mounted. It can be created either by mounting the transducers on the existing pipeline or by mounting them on a spoolpiece. A spoolpiece is a separately manufactured pipe section, matched to the existing pipe, which contains ports for mounting the transducers. This approach allows the transducers to be aligned and calibrated before inserting the spoolpiece into the pipeline.

Figure 1 on page 2 shows a typical Model XGM868i spoolpiece, with a mounting bracket to hold the electronics enclosure. For detailed instructions on installing the transducers and/or spoolpiece, refer to the supplied drawings and the enclosed *GE Gas Transducer Installation Guide (916-049)*.

1.5 Installing Temperature and Pressure Transmitters

Optional temperature and pressure transmitters may be installed near the ultrasonic transducer ports as part of the flowcell. Be sure to observe the siting requirements given earlier in this chapter. These transmitters should send a 0/4-20 mA signal to the Model XGM868i. In turn, the Model XGM868i must be fitted with a suitable option card to process the signals and to provide the required 24 VDC power to the transmitters. Any desired transmitters or sensors may be used, but they must have an accuracy equal to 0.5% of the reading or better.

Note: *Resistive Thermal Devices (RTDs) are a good choice for measuring the temperature.*

Typically, a 1/2" or 3/4" NPT female threaded port is used to mount the transmitters on the flowcell. If the pipeline is insulated, the coupling may need to be extended to provide convenient access. Of course, other types of mounting ports, including flanged ports, may be used for the transmitters.

Figure 2 shows a typical mounting arrangement for the pressure and temperature transmitters. The temperature sensor should protrude 1/4 to 1/2 way into the pipe.

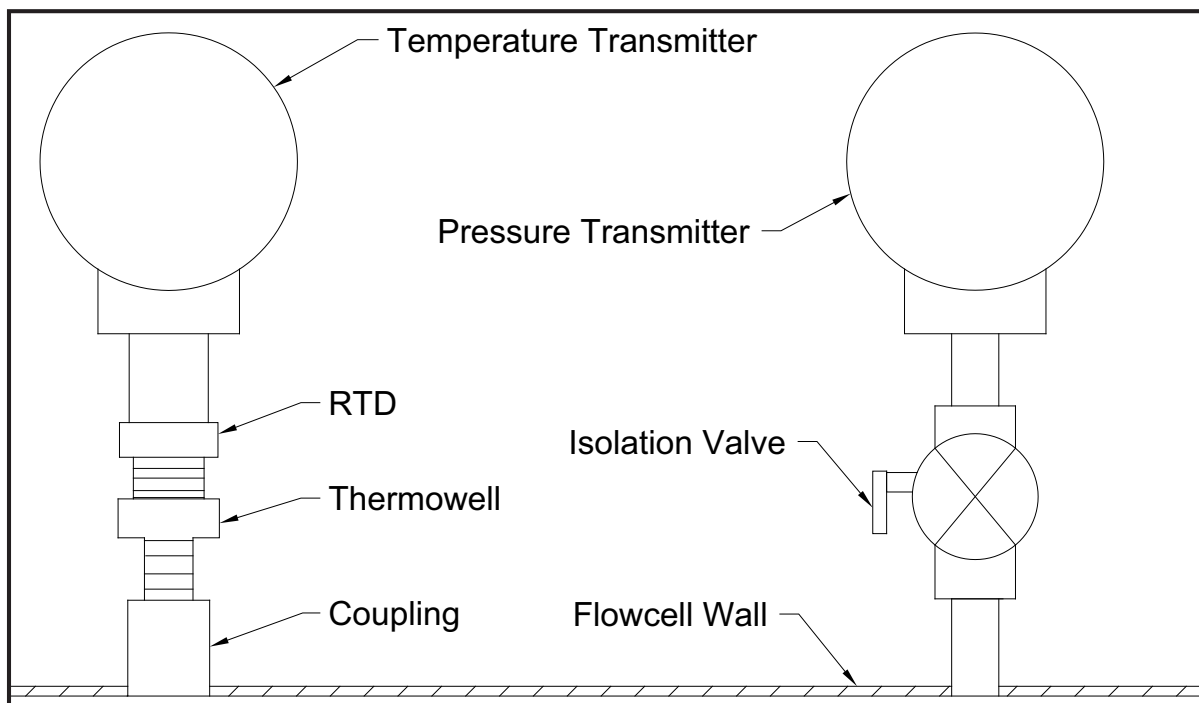


Figure 2: Typical Temperature/Pressure Transmitter Mounting

1.6 Mounting the XGM868i Electronics Enclosure

The standard Model XGM868i electronics package is housed in a Type-4X weather-resistant enclosure suitable for indoor or outdoor use. Refer to Figure 8 on page 23 for the mounting dimensions and the weight of this enclosure.

The Model XGM868i electronics enclosure is fitted with a mounting boss that has a single 3/4" NPTF threaded hole at its center and four 1/4-20 tapped holes at its corners. By using this mounting boss, the electronics enclosure may be mounted by any of the typical techniques shown in Figure 10 on page 25.

WARNING! Proper grounding of the XGM868i chassis is required to prevent the possibility of electric shock. See Figure 10 on page 25 for the location of the chassis grounding screw.

IMPORTANT: *Since the IREX keys do not work properly in direct sunlight, be sure to position the XGM868i with an optional sunshield or out of direct sunlight.*

1.7 Making the Electrical Connections

This section contains instructions for making all the necessary electrical connections to the Model XGM868i flow transmitter. Refer to Figure 10 on page 25 for a complete wiring diagram.

Except for the power connector, all electrical connectors are stored on their terminal blocks during shipment and may be removed from the enclosure for more convenient wiring. Simply, feed the cables through the conduit holes on the side of the enclosure, attach the wires to the appropriate connectors and plug the connectors back onto their terminal blocks.

!ATTENTION EUROPEAN CUSTOMERS!

To meet CE Mark requirements, all cables must be installed as described in Appendix A, CE Mark Compliance.

Refer to Figure 3 on page 6 and prepare the Model XGM868i for wiring by completing the following steps:

1.7 Making the Electrical Connections (cont.)

WARNING! Always disconnect the line power from the Model XGM868i before removing either the front cover or the rear cover. This is especially important in a hazardous environment.

1. Disconnect any existing power line from its source.
2. Loosen the set screw on the rear cover.
3. Place a rod or long screwdriver across the cover in the slots provided, and rotate the cover counterclockwise until it comes free from the enclosure.
4. Install any required cable clamps in the appropriate conduit holes around the side of the enclosure.
5. Note the labels inside the rear cover to assist in wiring the power and option card connections. Also, Figure 11 on page 26 shows the rear cover option card labels for every available option card configuration.

Proceed to the appropriate section of this chapter to make the desired wiring connections.

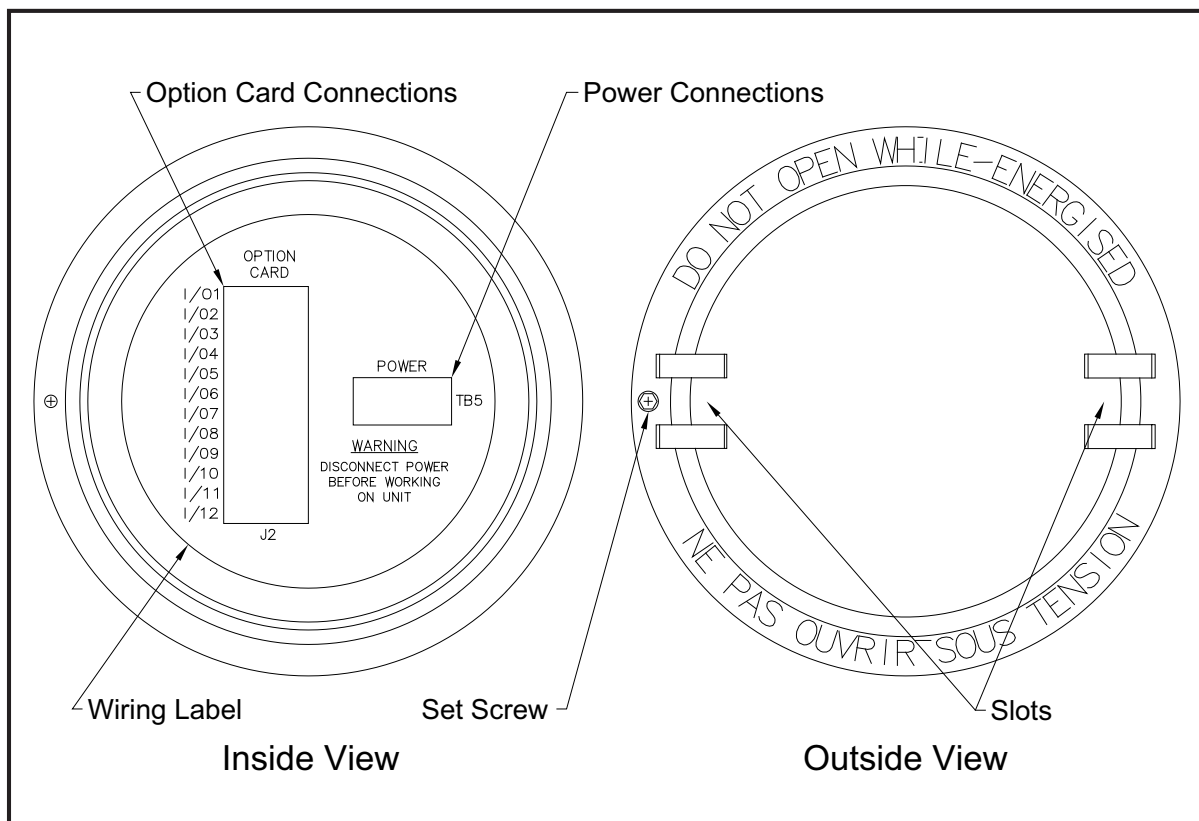


Figure 3: Rear Cover with Connection Labels

1.7.1 Wiring the Line Power

The Model XGM868i may be ordered for operation with power inputs of 100-120 VAC, 220-240 VAC, or 12-28 VDC. The label on the side of the electronics enclosure lists the meter's required line voltage and power rating. The fuse size is listed in Chapter 4, *Specifications*. Be sure to connect the meter only to the specified line voltage.

Note: *For compliance with the European Union's Low Voltage Directive (2006/95/EC), this unit requires an external power disconnect device such as a switch or circuit breaker. The disconnect device must be marked as such, clearly visible, directly accessible, and located within 1.8 m (6 ft) of the Model XGM868i.*

Note: *Only use Class 2 Rated Power supply for line power connection to DC instrument.*

Refer to Figure 10 on page 25 to locate terminal block TB5 and connect the line power as follows:

WARNING! Improper connection of the line power leads or connecting the meter to the incorrect line voltage may damage the unit. It may also result in hazardous voltages at the flowcell and associated piping as well as within the electronics enclosure.

1. Prepare the line power leads by trimming the line and neutral AC power leads (or the positive and negative DC power leads) to a length 0.5 in. (1 cm) shorter than the ground lead. This ensures that the ground lead is the last to detach if the power cable is forcibly disconnected from the meter.
2. Install a suitable cable clamp in the conduit hole indicated in Figure 10 on page 25. If possible, avoid using the other conduit holes for this purpose, to minimize any interference in the circuitry from the AC power line.

!ATTENTION EUROPEAN CUSTOMERS!

To meet CE Mark requirements, all cables must be installed as described in Appendix A, CE Mark Compliance.

3. Strip 1/4 in. of insulation from the end of each of the three power line leads.
4. Route the cable through the conduit hole and connect the line power leads to terminal block TB5, using the pin number assignments shown in Figure 10 on page 25.
5. Leaving a bit of slack, secure the power line with the cable clamp.

WARNING! Make sure both covers, with their o-ring seals, are installed and the set screws tightened before applying power in a hazardous environment.

CAUTION! The transducers must be properly wired before applying power to the meter.

Proceed to the next section to continue the initial wiring of the Model XGM868i flow transmitter.

1.7.2 Wiring the Transducers

Before wiring the XGM868i transducers, complete the following steps:

- disconnect the main power from the electronics enclosure
- remove the rear cover and install all required cable clamps

Based on the location of the electronics enclosure, proceed to the appropriate sub-section for detailed instructions.

1.7.2a Flowcell-Mounted Enclosure

For an electronics enclosure mounted directly on the flowcell, wire the transducers as follows:

WARNING! Before connecting the transducers, take them to a safe area and discharge any static buildup by shorting the center conductor of the transducer cables to the metal shield on the cable connector.

Note: For transducer frequencies below 2 MHz, the cable lengths given for a pair of transducers must be within 4 in. (10 cm) of each other. If the transducer frequency exceeds 2 MHz, the cable lengths must be within 0.5 in. (1.25 cm) of each other.

1. Locate the CH1 transducer cables and connect them to the two CH1 transducers in the flowcell. Feed the free ends of the cables through the selected conduit hole in the electronics enclosure.
2. Refer to the wiring diagram in Figure 10 on page 25 and connect the transducer cables to terminal block J3. Then, secure the cable clamp.

Note: The RED cable leads are the SIG(+) leads and the BLACK cable leads are the RTN(-) leads.

!ATTENTION EUROPEAN CUSTOMERS!

To meet CE Mark requirements, all cables must be installed as described in Appendix A, CE Mark Compliance.

3. For a 2-Channel XGM868i, repeat steps 1-2 to connect the CH2 transducers to terminal block J4. It is not required that both channels of a 2-Channel unit be connected.
4. If wiring of the unit has been completed, reinstall the rear cover on the enclosure and tighten the set screw.

Note: A channel must be activated before it can begin taking measurements. See Chapter 2, Initial Setup, for instructions.

1.7.2b Remote-Mounted Enclosure

For a remote mounted enclosure, refer to the wiring diagram in Figure 10 on page 25 and the remote transducer wiring in Figure 12 on page 27, and complete the following steps:

WARNING! Before connecting the transducers, take them to a safe area and discharge any static buildup by shorting the center conductor of the transducer cables to the metal shield on the cable connector.

1. Using the pair of coaxial cables with BNC to BNC connectors supplied by the factory (or equivalent cables), connect both CH1 transducers to the preamplifier.

CAUTION! As part of maintaining the FM/CSA environmental rating (TYPE 4) on the remote preamplifier, thread sealant is required on all conduit entries.

2. If an optional lightning protector is being installed, connect it to the preamplifier as shown.
3. Using the supplied coaxial cables with BNC to flying lead connectors (or equivalent cables), route the cables through one of the conduit holes in the electronics enclosure and connect the preamplifier to terminal block J3. Secure the cable clamp.

Note: The RED cable leads are the SIG(+) leads and the BLACK cable leads are the RTN(-) leads.

!ATTENTION EUROPEAN CUSTOMERS!

To meet CE Mark requirements, all cables must be installed as described in Appendix A, CE Mark Compliance.

4. For a 2-Channel XGM868i, repeat steps 3-5 to connect the CH2 transducers to terminal block J4 in the electronics enclosure. It is not required that both channels of a 2-Channel unit be connected.
5. If wiring of the unit has been completed, reinstall the rear cover on the enclosure and tighten the set screw.

Note: A channel must be activated before it can begin taking measurements. See Chapter 2, Initial Setup, for instructions.

Proceed to the next section to continue the initial wiring of the unit.

1.7.3 Wiring Std 0/4-20 mA Analog Outputs

The standard configuration of the Model XGM868i flow transmitter includes two isolated 0/4-20 mA analog outputs (designated as outputs 1 and 2). Connections to these outputs may be made with standard twisted-pair wiring, but the current loop impedance for these circuits must not exceed 600 ohms.

To wire the analog outputs, complete the following steps:

1. Disconnect the main power and remove the rear cover.
2. Install the required cable clamp in the chosen conduit hole on the side of the electronics enclosure.
3. Refer to Figure 10 on page 25 for the location of terminal block J1 and wire the analog outputs as shown. Secure the cable clamp.

Note: *Analog outputs 1 and 2 in the wiring diagram correspond to analog outputs A and B in Slot 0 in the XGM868i software.*

!ATTENTION EUROPEAN CUSTOMERS!
To meet CE Mark requirements, all cables must be installed as described in Appendix A,
CE Mark Compliance.

4. If wiring of the unit has been completed, reinstall the rear cover on the enclosure and tighten the set screw.

WARNING! Make sure both covers, with their o-ring seals, are installed and the set screws tightened before applying power in a hazardous environment.

Note: *Prior to use, the analog outputs must be set up and calibrated. See Chapter 1, Calibration, of the Service Manual for detailed instructions.*

Proceed to the next section to continue the initial wiring of the unit.

1.7.4 Wiring the Serial Port

The Model XGM868i flowmeter is equipped with an RS232 or an RS485 serial interface. An RS485 option is also available with MODBUS capability. When the MODBUS option is present, the XGM868i may also have the standard RS232 serial interface.

The serial port is used to transmit stored data and displayed readings to a personal computer by connecting the meter's serial interface to the serial port of the PC. In addition, the Model XGM868i can receive and execute remote commands, using the *Instrument Data Manager* or *PanaView* software via this link.

For more information on serial communications refer to your *EIA-RS Serial Communications* manual (916-054). Proceed to the appropriate sub-section for wiring instructions.

!ATTENTION EUROPEAN CUSTOMERS!

To meet CE Mark requirements, all cables must be installed as described in Appendix A, CE Mark Compliance.

1.7.4a Wiring the RS232 Interface

Use the serial port to connect the Model XGM868i flow transmitter to a printer, an ANSI terminal or a personal computer. The RS232 interface is wired as Data Terminal Equipment (DTE). Table 1 lists the standard cables available from the factory for this purpose.

Table 1: GE Serial Cables

Part Number	PC Connector	XGM868i Connector
704-659	DB-25 Male	Flying Leads (5)
704-660	DB-9 Male	Flying Leads (5)
704-661	DB-25 Female	Flying Leads (5)
704-662	DB-9 Female	Flying Leads (5)

Each of the cables listed in the table above is available in several standard lengths. However, a user-supplied cable may be used, if preferred. In either case, wire the XGM868i end of the serial cable in accordance with the pin designations listed in Table 2 on page 12.

1.7.4a Wiring the RS232 Interface (cont.)

Refer to Figure 10 on page 25 to complete the following steps:

WARNING! Dangerous voltages exist within the electronics enclosure. Do not attempt to wire the unit until the main power has been disconnected

1. Disconnect the main power and remove the rear cover.

WARNING! The XGM868i must be moved to a safe environment before removing either cover.

2. Install the required cable clamp in the chosen conduit hole on the side of the electronics enclosure.
3. Use the information in Table 2 to construct a suitable cable for connecting the Model XGM868i to the external device. If desired, an appropriate cable may be purchased from the factory.

Table 2: RS232 Connection to DCE or DTE Device

J1 Pin #	Signal Description	DCE DB25 Pin #	DCE DB9 Pin #	DTE DB25 Pin #	DTE DB9 Pin #
5	DTR (Data Terminal Ready)	20	4	20	4
6	CTS (Clear to Send)	4	7	5	8
7	COM (Ground)	7	5	7	5
8	RX (Receive)	2	3	3	2
9	TX (Transmit)	3	2	2	3

4. Feed the cable's flying leads through the conduit hole and wire it to terminal block J1. Connect the other end of the cable to the external serial device and secure the cable clamp.

After the wiring has been completed, consult the *User's Manual* for the external device to configure it for use with the XGM868i.

1.7.4b Wiring the RS485 Interface

Use the optional RS485 serial port to network multiple XGM868i flow transmitters to a single control system. As an option, the standard RS232 port on the XGM868i may be configured as a two-wire, half-duplex RS485 interface.

IMPORTANT: *The Model XGM868i must be configured at the factory for RS485 operation.*

To wire the RS485 serial port, refer to Figure 10 on page 25 and complete the following steps:

WARNING! Dangerous voltages exist within the electronics enclosure. Do not attempt to wire the unit until the main power has been disconnected

1. Disconnect the main power and remove the rear cover.

WARNING! The XGM868i must be moved to a safe environment before removing either cover.

2. Install the required cable clamp in the chosen conduit hole on the side of the electronics enclosure.
3. Feed one end of the cable through the conduit hole, wire it to terminal block J1 and secure the cable clamp. Use the information in Table 3 to wire a suitable cable for connecting the XGM868i to the external device.

Table 3: RS485 Connections

J1 Pin #	Signal Description
9	Data +
8	Data -
7	Shield
6	Not Used
5	Not Used
4	Not Used

4. If wiring of the unit has been completed, reinstall the rear cover on the enclosure and tighten the set screw.

Proceed to the next section to continue the initial wiring of the unit.

1.7.5 Wiring the Option Cards

The Model XGM868i can accommodate one option card in Slot 1 and one option card in Slot 2. The following option card functions are available only in the combinations listed in Table 14 on page 63:

- Alarm Relays (Slot 1)
- Analog Inputs (Slot 1)
- Totalizer/Frequency Outputs (Slot 1)
- RTD Inputs (Slot 1)
- Analog Outputs (Slot 1)
- MODBUS Communications (Slot 2)
- MODBUS/TCP Communications (Slot 2)
- Ethernet (Slot 2)
- Foundation Fieldbus (Slot 2)
- Data Logging (Slot 2) - *no wiring required*

Wiring any option card installed in Slot 1 requires completion of the following general steps:

1.7.5a Preparing for Wiring

1. Disconnect the main power and remove the rear cover.
2. Install a cable clamp in the chosen conduit hole on the side of the electronics enclosure and feed a standard twisted-pair cable through this conduit hole.
3. Locate the 12-pin terminal block (J2) in Figure 10 on page 25 and wire the option card as indicated on the label inside the rear cover (see Figure 3 on page 6 and Figure 11 on page 26). Secure the cable clamp.

IMPORTANT: *Because of the attached wiring label, all rear covers must remain with their original meters.*

!ATTENTION EUROPEAN CUSTOMERS!

To meet CE Mark requirements, all cables must be installed as described in Appendix A, CE Mark Compliance.

4. If wiring of the unit has been completed, reinstall the rear cover on the enclosure and tighten the set screw.

Note: *Prior to use, the option card must be set up and calibrated. See Chapter 1, Programming Site Data, in the Programming Manual and Chapter 1, Calibration, in the Service Manual for detailed instructions.*

For more specific instructions on particular option cards, proceed to the appropriate section(s) that follow.

1.7.5b Wiring an Alarms Option Card

Each alarms option card includes two or four general-purpose *Form C* relays (designated as A, B, C and D).

The maximum electrical ratings for the relays are listed in Chapter 4, *Specifications*. Each of the alarm relays can be wired as either *Normally Open* (NO) or *Normally Closed* (NC).

In setting up an alarm relay, it may be wired for either *conventional* or *fail-safe* operation. In fail-safe mode, the alarm relay is constantly energized, except when it is triggered or a power failure or other interruption occurs. See Figure 4 for the operation of a NO alarm relay in both conventional and fail-safe mode.

Before making any connections, complete the steps in *Preparing for Wiring* on page 14. Connect each alarm relay in accordance with the wiring instructions shown on the label inside the rear cover (see Figure 3 on page 6 and Figure 11 on page 26).

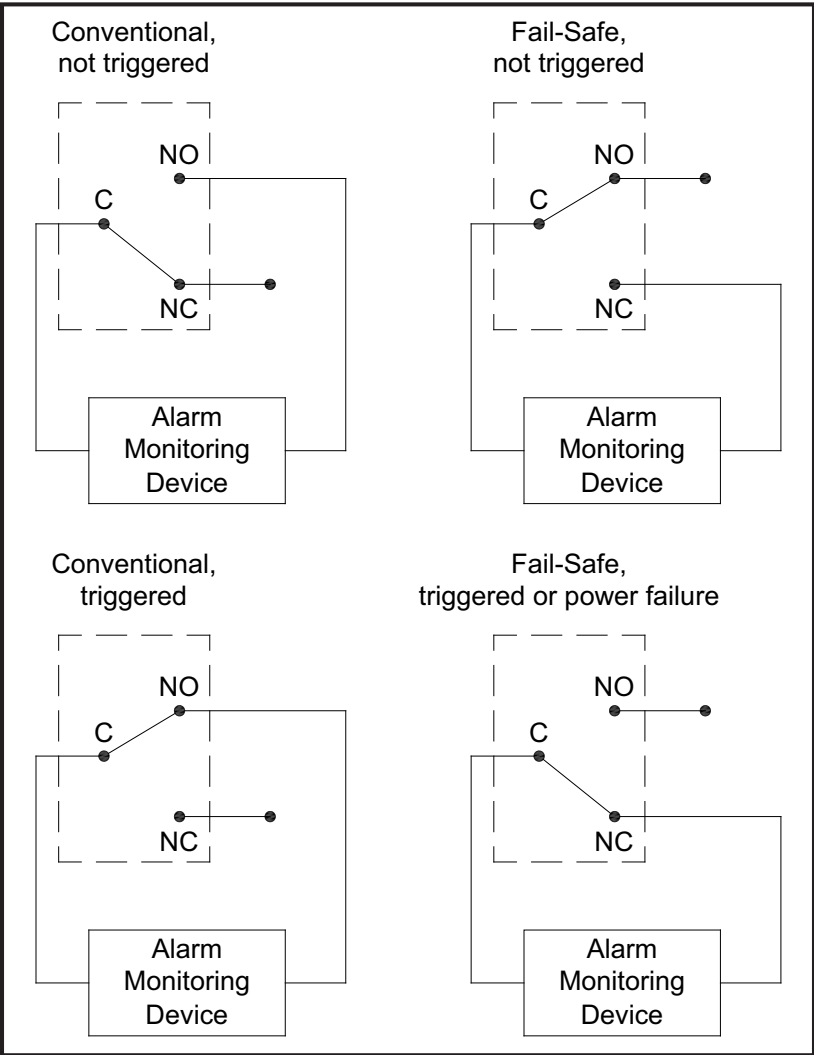


Figure 4: Conventional and Fail-Safe Operation

1.7.5c Wiring a 0/4-20 mA Analog Inputs Option Card

To calculate the standard flow rates, the Model XGM868i requires accurate *temperature* and *pressure data* from the measurement site. Transmitters installed in the flowcell can provide this information via an optional 0/4-20 mA analog inputs option card. This option card includes two or four isolated 0/4-20 mA analog inputs (designated as A, B, C and D), each of which includes a 24 VDC power supply for loop-powered transmitters. Either input may be used to process the temperature signal, while the other input is used to process the pressure signal.

Note: *To properly enter programming data into the meter, it is necessary to know which input is assigned to which process parameter. This information should be entered in Appendix B, Data Records.*

The analog inputs, which have an impedance of 118 ohms, should be connected with standard twisted-pair wiring. Power to the transmitters may be supplied either by the integral 24 VDC power supply on the analog input option card or by an external power supply. Figure 5 shows typical wiring diagrams, with and without an external power supply, for one of the analog inputs.

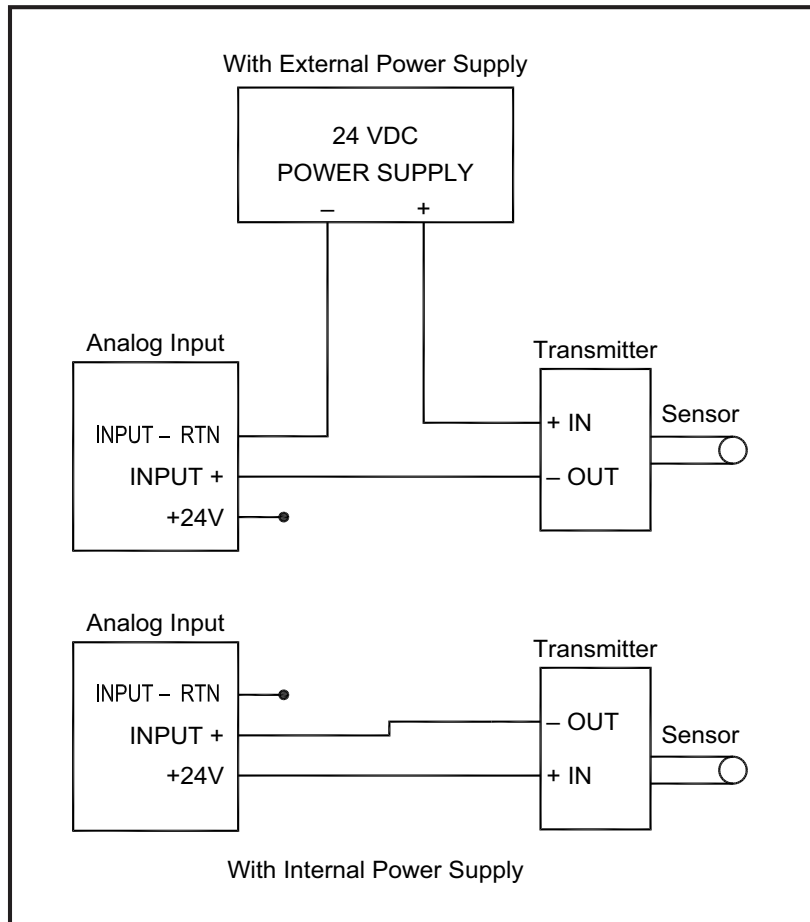


Figure 5: Analog Input Wiring Diagram

1.7.5c Wiring a 0/4-20 mA Analog Inputs Option Card (cont.)

Before making any connections, complete the steps in *Preparing for Wiring* on page 14. Wire the analog inputs as shown on the label in the rear cover (see Figure 11 on page 26).

Note: *The analog inputs option card can be calibrated with the Model XGM868i's built-in analog outputs. However, be certain that the analog outputs have been calibrated first. See Chapter 1, Calibration, in the Service Manual for the appropriate procedures.*

1.7.5d Wiring a Totalizer/Frequency Outputs Option Card

Each totalizer/frequency outputs option card provides two or four outputs (designated as A, B, C, and D) that can be used as either totalizer or frequency outputs.

Before making any connections, complete the steps in *Preparing for Wiring* on page 14. Then, wire this option card in accordance with the connections shown on the label in the rear cover (see Figure 3 on page 6 and Figure 11 on page 26). Figure 6 shows sample wiring diagrams of a totalizer output circuit and a frequency output circuit. Refer to *Electrical Specifications* on page 56 for load and voltage requirements.

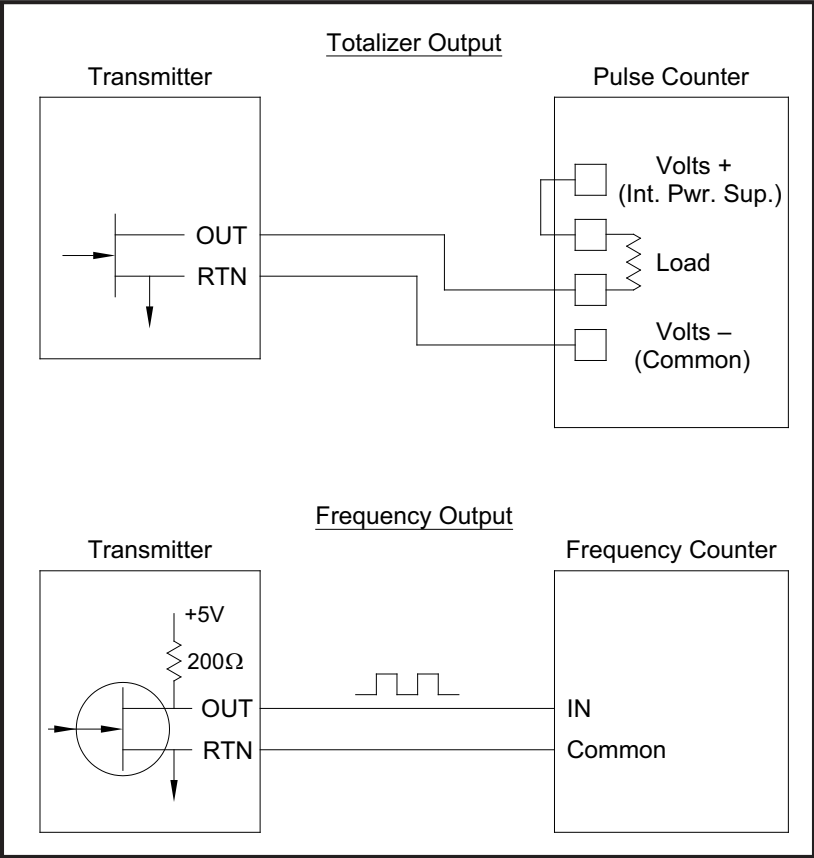


Figure 6: Totalizer/Frequency Outputs Wiring

1.7.5e Wiring an RTD Inputs Option Card

The Model XGM868i RTD (Resistance Temperature Device) inputs option card provides two or four direct RTD inputs (designated as A, B, C and D). Each RTD input requires three wires, and should be connected as shown on the label in the rear cover (see Figure 3 on page 6 and Figure 11 on page 26).

Note: Before making any connections, complete the steps in *Preparing for Wiring* on page 14.

1.7.5f Wiring a 0/4-20 mA Analog Outputs Option Card

The analog outputs option card includes two isolated 0/4-20 mA outputs (designated as A and B). Connections to these outputs may be made with standard twisted-pair wiring, but the total current loop impedance for these circuits must not exceed 1,000 ohms.

Before making any connections, complete the steps in *Preparing for Wiring* on page 14. Then, wire this option card with the connections shown on the label in the rear cover (see Figure 3 on page 6 and Figure 11 on page 26).

1.7.5g A Specific Example

To illustrate the procedures described in the previous sections for wiring the option cards, a specific example may prove helpful. Assume that a Model XGM868i is equipped with an option card numbered 703-1223-08. Table 14 on page 63 in Appendix B, *Data Records*, indicates that this option card includes two analog current inputs and two standard alarm relays.

By referring to Figure 11 on page 26, it is determined that the appropriate connection diagram for this option card is the second one from the left in the middle row (A1,H1). This label should also be found inside the rear cover of the XGM868i. Based on this information, wiring of the Input/Output connections to terminal block J2 should be completed as shown in Table 4.

Table 4: Wiring a 703-1223-08 Option Card

J2 Pin #	Description	Connection
1	Alarm A	Normally Open
2	Alarm A	Common
3	Alarm A	Normally Closed
4	Alarm B	Normally Open
5	Alarm B	Common
6	Alarm B	Normally Closed
7	Out C	+24 V to Input C
8	Input C	Signal (+)
9	Input C	Return (-)
10	Out D	+24 V to Input D
11	Input D	Signal (+)
12	Input D	Return (-)

1.7.5h Wiring the MODBUS Option Card

The MODBUS option card uses the RS485 standard for MODBUS communication. The MODBUS card must be installed in Slot 2. The RS485 standard allows up to 32 nodes (drivers and receivers) on one multidrop network, at distances up to 4,000 ft (1,200 m). GE recommends using 24-gauge (24 AWG) twisted-pair wire with a characteristic impedance of 120 ohms and 120-ohm termination at each end of the communications line.

Note: *The MODBUS option card provides its own RS485 connections. Thus, the meter can have its serial port configured as RS232 and still provide RS485 MODBUS signals.*

IMPORTANT: *Because the MODBUS option card uses pins 1 and 2 on terminal block J2, only those option cards that do not use these pins may be installed in Slot 1, while a MODBUS card is installed in Slot 2. Specifically, only the option cards designated as “OI” and “OR” in Figure 11 on page 26 are compatible with the MODBUS option card.*

To link the XGM868i to the control system (refer to Figure 7):

1. Connect the MODBUS – wire to pin #2, the inverting or negative connection.
2. Connect the MODBUS + wire to pin #1, the non-inverting or positive connection.
3. Pin #3 has no connection.

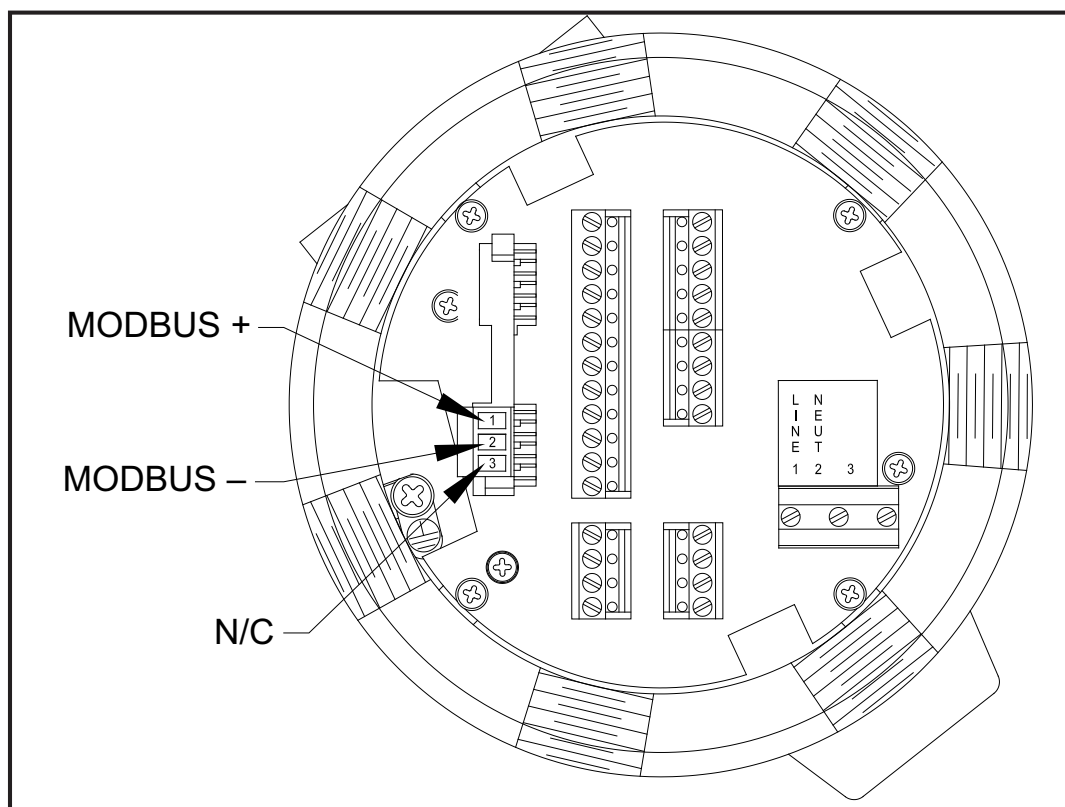


Figure 7: The RS485 MODBUS Terminal Block Connector

1.7.5i Wiring the MODBUS/TCP Interface

Customers can also use a modified XGM868i that provides a MODBUS/TCP interface to communicate to an internal network. An optional MODBUS/TCP card with a unique MAC (IP) address (installed only in slot 2) includes an RJ45 connector. To connect the MODBUS/TCP-enabled XGM868i to the network, insert the jack of an RJ45 cable into the RJ45 connector, route the cable through one of the conduit holes using an appropriate cable clamp, and wire the other end of the cable to the Ethernet network according to the manufacturer's instructions. See Figure 13 on page 28.

Note: *The MAC address for a specific XGM868i is included with customer documentation. For more information on setting up the MAC address, refer to Chapter 6 of the Programming Manual.*

1.7.5j Wiring the Ethernet Interface

A modified XGM868i can use the Ethernet interface to communicate to a local area network. An optional Ethernet card with a unique MAC (IP) address (installed only in slot 2) includes an RJ45 connector. To connect the Ethernet-enabled XGM868i to the network, insert the jack of an RJ45 cable into the RJ45 connector, route the cable through one of the conduit holes using an appropriate cable clamp, and wire the other end of the cable to the Ethernet network according to the manufacturer's instructions. An external connection is required between the Ethernet option card and the XGM868i's RS232 connector, as shown in Table 5 and Figure 13 on page 28.

Note: *The MAC address for a specific XGM868i is included with customer documentation. For more information on setting up the MAC address, refer to Appendix C of the Programming Manual.*

Table 5: RS232 to Ethernet Interconnections

XGM868i Type	Terminal Block	Terminal Block
Terminal	RS232 on Rear Board	TB1 on Ethernet Card
	TX	Pin 1
	RX	Pin 2
	COM	Pin 3

1.7.5k Wiring the Foundation Fieldbus Interface

To connect the Foundation Fieldbus interface to the XGM868i, make the network connections at J8, pins 1 and 2, as shown in drawing Y of Figure 13 on page 28. As an option, you can connect a shield to J8 pin 3, depending on the network wiring.

No connections are made to J9 under normal operation. If you need to reset the network board to factory defaults:

1. Connect a jumper between J9 pin 2 and J9 pin 3.
2. Power cycle (i.e., turn off and on) the XGM868i.
3. Ten seconds after the power has been restored to the XGM868i, remove the jumper to return the network board to normal operation.

1.7.5l Data Logging Option Card

The Model XGM868i can be fitted with a data logging option card, which must be installed in Slot 2. The data logging option card increases the XGM868i's memory by up to 2 MB.

Note: *The data logging menu option is not available unless this card is installed.*

After the Model XGM868i has been completely installed and wired, proceed to Chapter 2, *Initial Setup*, to program the meter for taking flow rate measurements.

WARNING! Make sure both covers, with their o-ring seals, are installed and the set screws tightened before applying power in a hazardous environment.

[no content intended for this page]

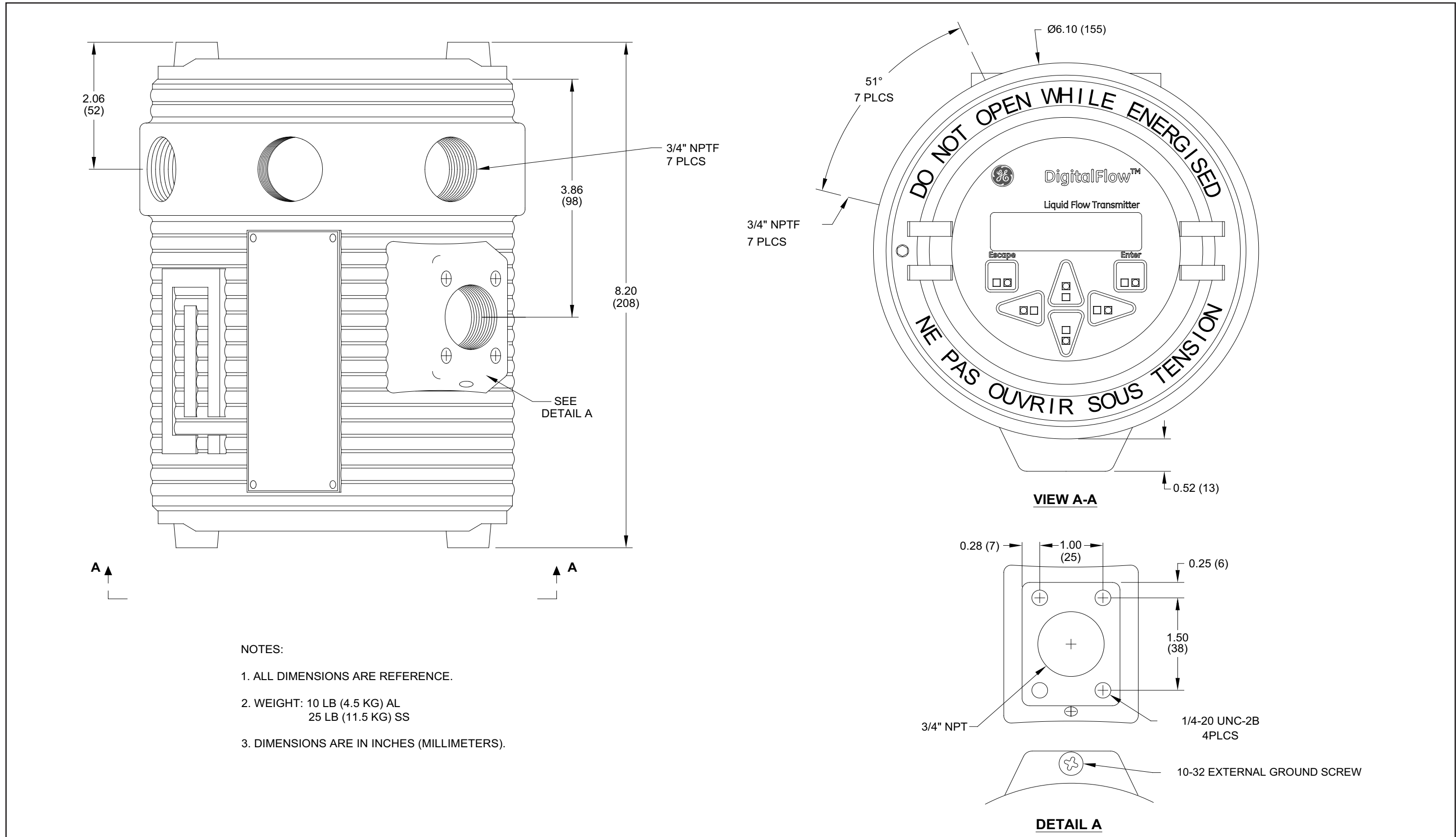


Figure 8: XGM868i Outline and Installation (ref. dwg. 712-1318)

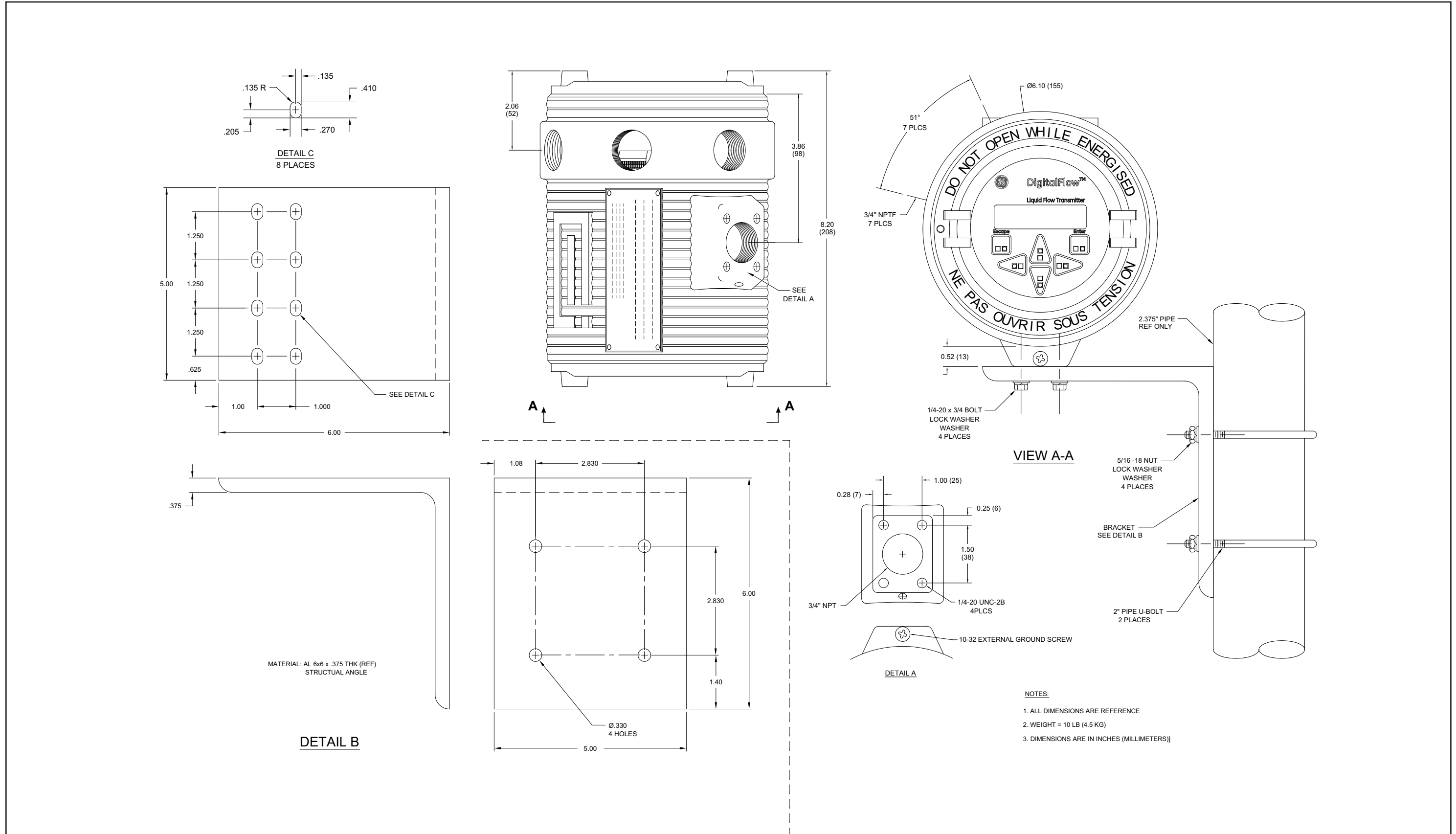


Figure 9: XGM868i Outline and Installation - Right Angle Mounting Bracket (ref. dwg. 712-1317)

NOTE: For compliance with the European Union's Low Voltage Directive (2006/95/EC), this unit requires an external power disconnect device such as a switch or circuit breaker. The disconnect device must be marked as such, clearly visible, directly accessible and located within 1.8 m (6 ft) of the Model XGM868i.

J5 - MODBUS CONNECTION		
Pin #	Designation	Description
1	+	MODBUS +
2	-	MODBUS -
3	N/C	N/C

J2 - INPUT/OUTPUT CONNECTIONS*												
Pin #	1	2	3	4	5	6	7	8	9	10	11	12
Designation	I/O1	I/O2	I/O3	I/O4	I/O5	I/O6	I/O7	I/O8	I/O9	I/O10	I/O11	I/O12
Description	*See the wiring label inside the rear cover and Figure 1-11.											

J1 - RS232/RS485 / 4-20 OUTPUT		
Pin #	Designation	Description
1	TX(RS485+)	Transmit / +
2	RX(RS485-)	Receive / -
3	COM (SHLD)	Ground
4	CTS	Clear To Send
5	DTR	Data Terminal Ready
6	AOUT B-	4-20 Output 2 RTN
7	AOUT B+	4-20 Output 2 SIG
8	AOUT A-	4-20 Output 1 RTN
9	AOUT A+	4-20 Output 1 SIG

DC POWER INPUT	
Pin #	Description
1	Line Positive
2	Line Negative
3	No Connection

AC POWER INPUT	
Pin #	Description
1	Line Power
2	Line Neutral
3	Earth Ground

NOTE: Enclosure is shown from the rear with the rear cover removed.

J4 - CH2 TRANSDUCER CONNECTION (optional)		
Pin #	Designation	Description
1	CH2UP	Upstream Transducer SIG(+)
2	CH2RTN	Upstream Transducer Analog RTN(-)
3	CH2RTN	Downstream Transducer Analog RTN(-)
4	CH2DN	Downstream Transducer SIG(+)

J3 - CH1 TRANSDUCER CONNECTION		
Pin #	Designation	Description
1	CH1UP	Upstream Transducer SIG(+)
2	CH1RTN	Upstream Transducer Analog RTN(-)
3	CH1RTN	Downstream Transducer Analog RTN(-)
4	CH1DN	Downstream Transducer SIG(+)

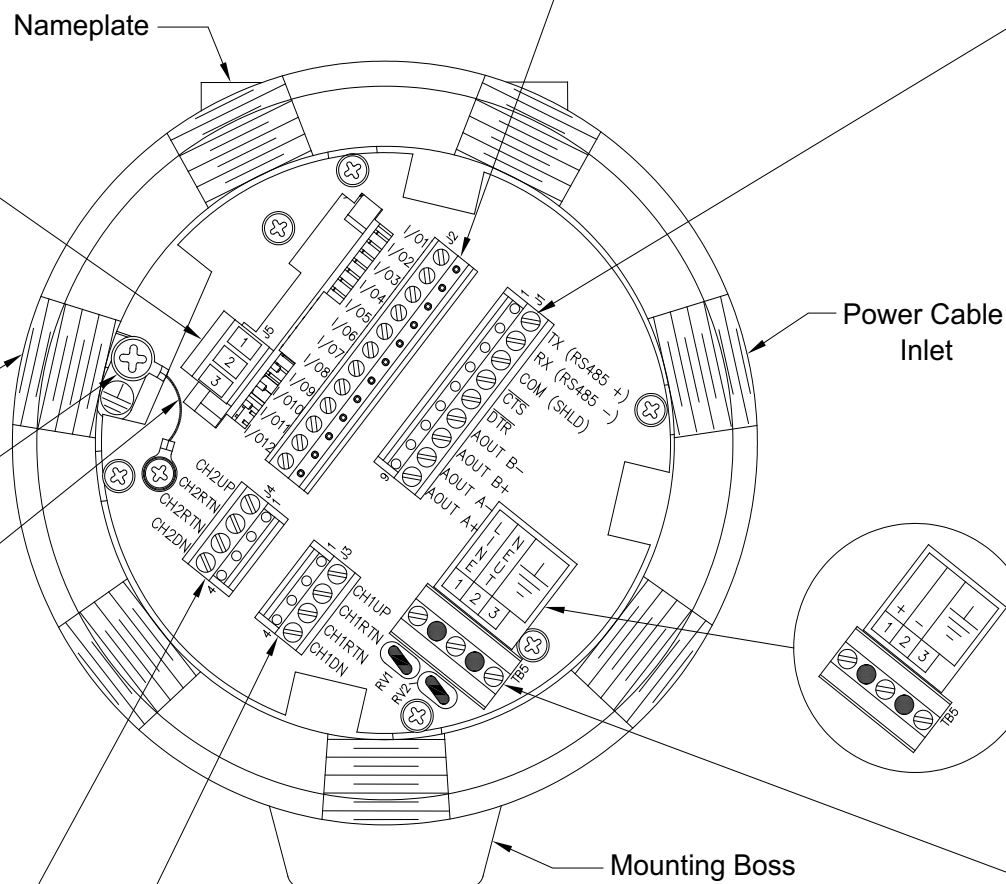


Figure 10: XGM868i Wiring Diagram

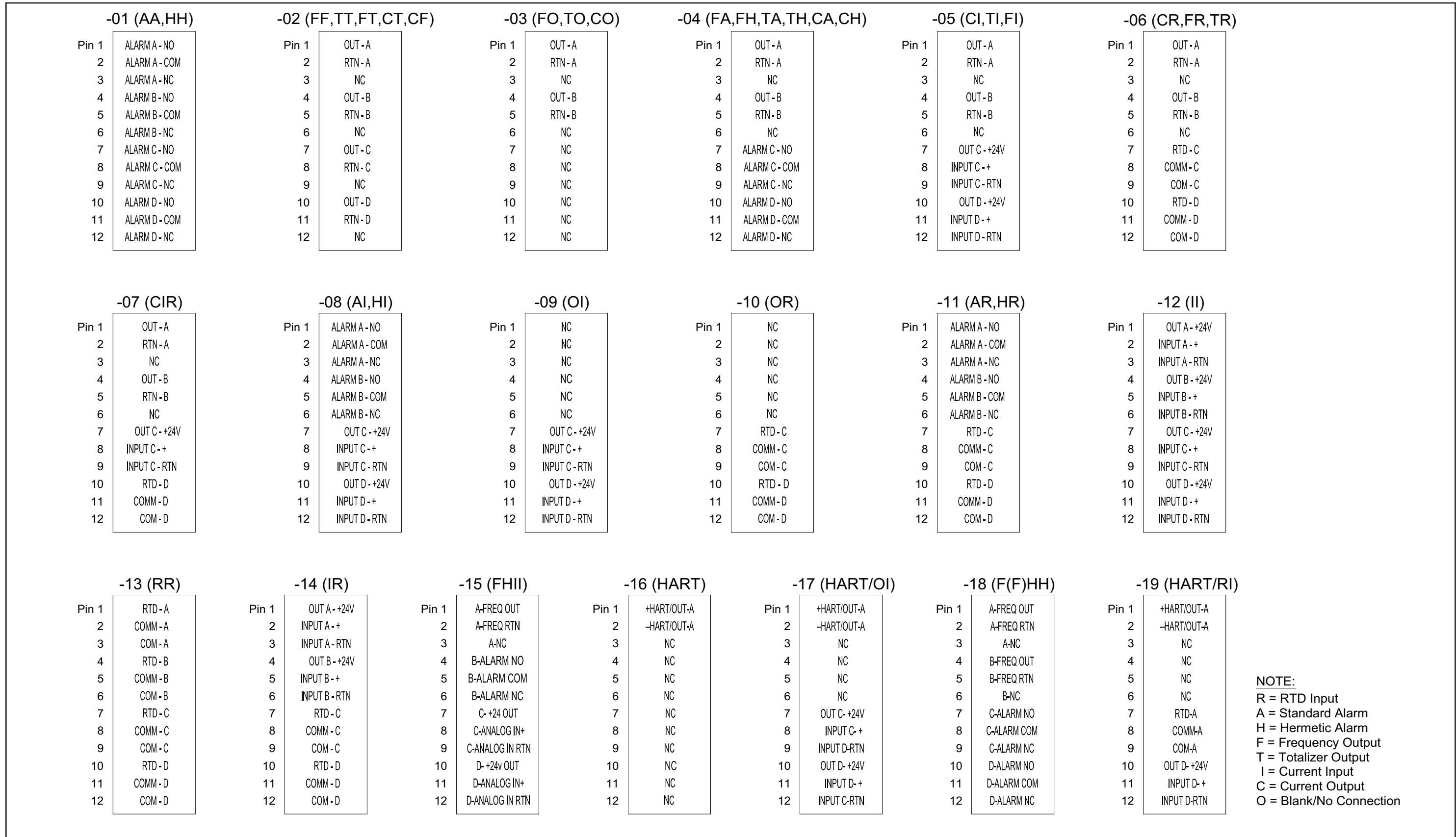


Figure 11: XGM868i Option Card Connection Labels (ref. dwg. 442-615)

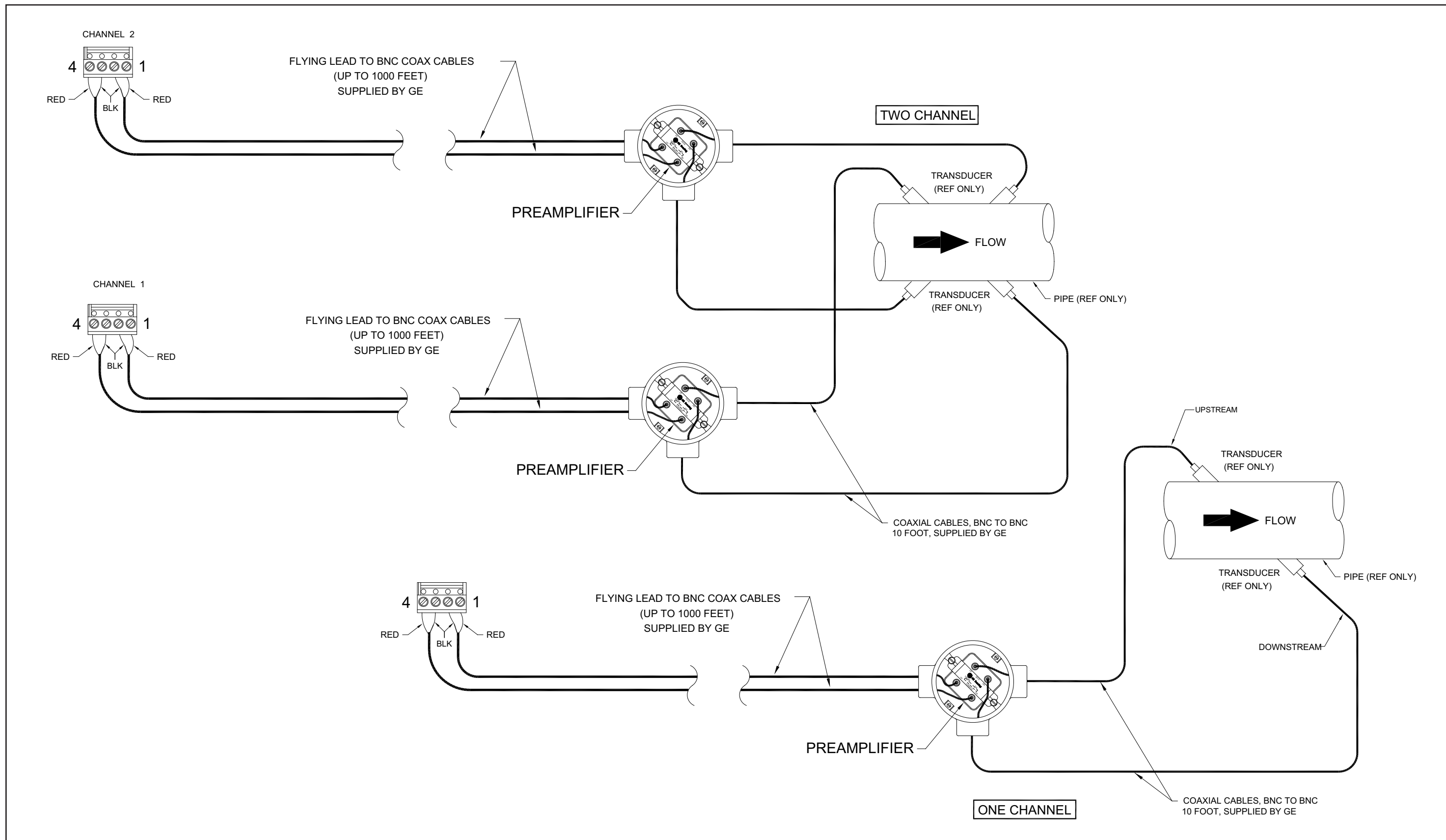


Figure 12: XGM868i Transducer & Preamplifier Wiring Diagram (ref.dwgs. 702-731 & 702-732)

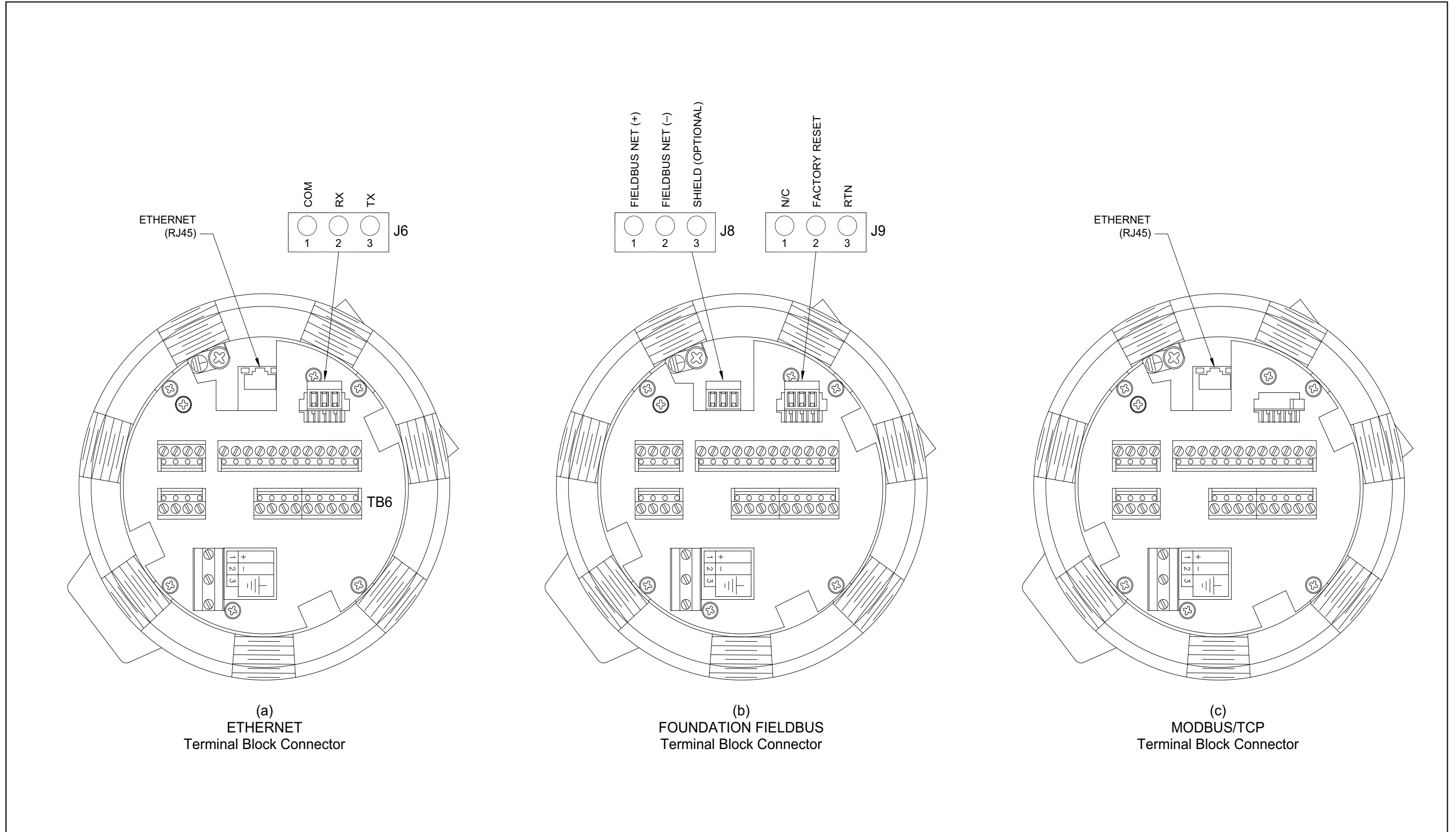


Figure 13: XGM868i Ethernet, Foundation Fieldbus and MODBUS/TCP Terminal Block Connections

Chapter 2. Initial Setup

2.1 Introduction

This chapter provides instructions for programming the minimum amount of data required to place the Model XGM868i flowmeter into operation. Before the Model XGM868i can begin taking measurements and displaying valid data, the current system and pipe parameters must be entered. In addition, a 2-Channel meter requires that each channel be activated prior to use. Additional programming options provide access to the more advanced features of the Model XGM868i, but this information is not required to begin taking measurements.

Refer to the *Programming Manual* for information on programming all other features. Be sure to record all programming data in Appendix B, *Data Records*.

As a guide in following the programming instructions in this chapter, the relevant portions of the Model XGM868i menu map have been reproduced in Figure 15 on page 41.

2.2 Programming Methods

Note: See the *Programming Manual* for information on those User Program features not covered in this chapter.

You can program the XGM868i via either the keypad on the lower part of the glass enclosure, or **PanaView™**, a PC-based, non-resident software program that communicates with the XGM868i via its RS232 serial port. PanaView supplements basic XGM868i functions with several additional capabilities. With PanaView, you can:

- load and save site file data
- create and save graph and log files
- display text output and graphs of live measurement data
- create custom templates for displaying text, graph and log data
- interface with multiple GE instruments.

This chapter focuses on programming via the keypad. For information on programming the XGM868i via PanaView, refer to Appendix C of the *Programming Manual*.

2.3 The XGM868i Enclosure Keypad

Keypad Program

Along with the 2-line, 16-character LCD, the XGM868i includes a 6-key magnetic keypad. The decal cutout for each key contains a hall effect sensor, pushbutton switch and visible red LED. The magnetic wand used to activate a magnetic key is found attached to the meter chassis below the front panel. An operator activates the key by pressing the magnetic wand up to the glass lid over the desired key. The LED will light indicating a successful key press.

Note: *The pushbutton switch will also act as a key press but is done with the glass lid open. Do not use the pushbutton switch in a hazardous area where the lid needs to be installed.*

Use the magnetic keypad to navigate through the user program. The menu map may be followed in sequence, or the four arrow keys may be used to scroll through the prompt screens. Figure 14 shows the front of the XGM868i, with magnetic keypad and magnetic wand.

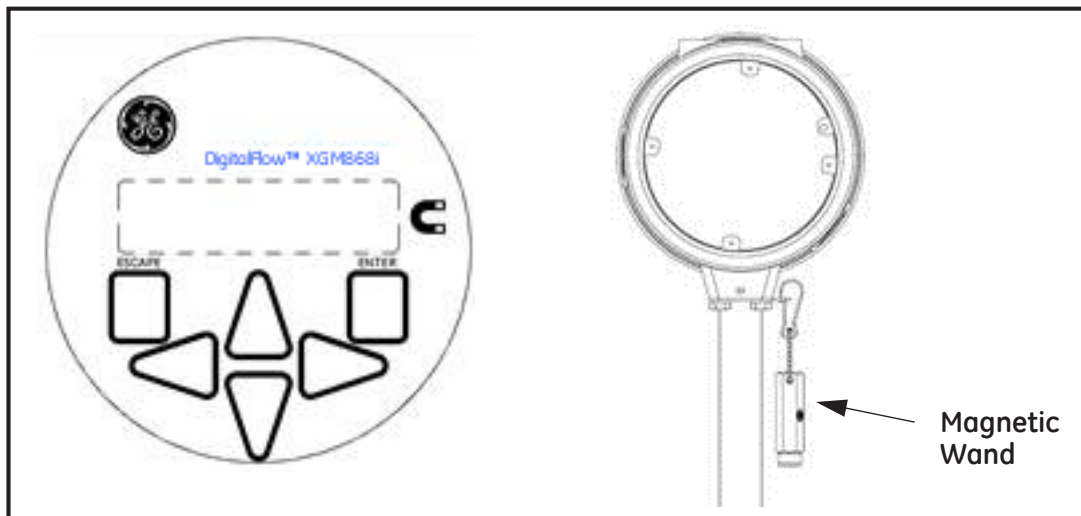


Figure 14: XGM868i Magnetic Keypad and Wand

IMPORTANT: *The XGM868i's keypad enables programming of the instrument through the glass faceplate without removing the cover. Thus, all programming procedures may be performed while the unit is installed in a hazardous area.*

Six keys on the keypad enable users to program the XGM868i:

- [Enter] - confirms choice of a specific option and data entry within the option
- [Escape] - allows users to exit from a specific option without entering unconfirmed data
- [△] and [▽] - enable users to view a specific measurement in the Key display setting or to scroll through a list of options (letters and numbers 0-9 as well as the negative sign and decimal point) in a menu
- [◀] and [▶] - enable users to scroll to a specific option, among choices in an option, or to a character in a text entry.

2.3 The XGM868i Enclosure Keypad (cont.)

When you power up the XGM868i, the display first shows the model and software version:

GE XGM868i Y4AM.STD

The meter then starts to display measured parameters.

CH1	VEL	E1
10.00		Ft/s

To enter the *Keypad Program*, press the [Escape] key, followed by the [Enter] key, and the [Escape] key again. Each successive key must be entered within 10 seconds of the prior key.

As a guide in following the programming instructions in this chapter, the relevant portions of the Model XGM868i menu map have been reproduced in Figure 15 on page 41. Proceed to the following sections to enter data in the Channel or GLOBL menus.

IMPORTANT: *If the keypad has not been pressed for 10 minutes, the XGM868i exits the Keypad Program and returns to displaying measurements. The meter retains any configuration changes that were confirmed with the [Enter] key, and restarts as if the operator had completed the programming cycle.*

2.4 Entering Data in the Global Menu

To begin programming your meter, you must select the system units from the GLOBL menu as discussed below. Refer to Figure 15 on page 41 and remember to record all programming data in Appendix B, *Data Records*.

Note: Refer to the Programming Manual for information on the other submenus in the GLOBL menu.

2.4.1 Entering Global System Data

The GLOBL-SYSTM submenu is used to enter several general system parameters (e.g., English or metric units). For units with 2 channels, this menu is also used to compute parameters such as the sum, difference or average of the channel 1 and channel 2 signals. When calculating the SUM, DIF or AVE readouts, data from the GLOBL-SYSTM submenu is used. Any conflicting data entered in the CHANNEL-SYSTM submenu is overridden.

1. In the *Keypad Program*, scroll to PROG and press [Enter].
2. In the PROG menu, scroll to GLOBL and press [Enter].
3. In the Global PROGRAM menu, scroll to SYSTM and press [Enter].
4. Scroll to the desired *System Units* selection (either metric or English) and press [Enter]. The XGM868i will display all parameters and measurements in the designated units.
5. Scroll to the desired *Pressure Units* selection (absolute or gauge) and press [Enter].
6. Do one of the following:
 - If PSIIa (absolute) was selected, proceed to Step 7.
 - If PSIIg (gauge) was selected, enter the desired atmospheric pressure, press [Enter] and proceed to Step 7.
7. Do one of the following:
 - For a single-channel XGM868i, the program returns to the Global PROGRAM menu.
 - For a 2-channel meter, proceed to the next page.

2.4.1a Selecting Volumetric Units

1. Scroll to the desired *Volumetric Units* for the flow rate display and press [Enter]. Table 6 lists the available volumetric units.

Table 6: Available Volumetric/Totalizer Units

English	Metric
ACF = Actual Cubic Feet	ACM = Actual Cubic Meters
KACF = Thousands of ACF	KACM = Thousands of ACM
MMACF = Millions of ACF	MMACM = Millions of ACM
SCF = Standard Cubic Feet	SCM = Standard Cubic Meters
KSCF = Thousands of SCF	KSCM = Thousands of SCM
MMSCF = Millions of SCF	MMSCM = Millions of SCM

2. Scroll to the desired unit of *Volumetric Time* (from seconds to days), and press [Enter].
3. Scroll to the desired number of *Vol Decimal Digits* (digits to the right of the decimal point) in the volumetric flow display, and press [Enter].

2.4.1b Selecting Totalizer Units

4. Scroll to the desired *Totalizer Units* for the flow rate display and press [Enter]. Available units are listed in Table 6.
5. Scroll to the desired number of *Tot Decimal Digits* (digits to the right of the decimal point in the totalized flow rate display) and press [Enter].
6. Do one of the following:
 - If MASS FLOW is ON, proceed to *Selecting Mass Flow Units* on page 34.
 - If MASS FLOW is OFF, the meter returns to the Global PROGRAM window. Press [Escape] twice and proceed to Chapter 3, *Operation*, or the *Programming Manual*.

Note: To activate mass flow, see *Activating Mass Flow in Chapter 1* of the Programming Manual. The following prompts appear only if mass flow is activated for both channels.

2.4.1c Selecting Mass Flow Units

1. Scroll to the desired *Mass Flow* units for the flow rate display and press [Enter]. The available units for this prompt are determined by the selection made at the *System Units* screen. See Table 7.

Table 7: Available Mass Flow Units

English	Metric
LB = Pounds	Kilograms
KLB = Thousands of LB	Metric Tons (1000 KG)
MMLB = Millions of LB	
Tons (2000 LB)	

2. Scroll to the desired *Mass Flow Time* units for the mass flow rate display (from seconds to days) and press [Enter].
3. Scroll to the desired number of *Mdot Dec. Digits* (digits to the right of the decimal point in the mass flow rate display) and press [Enter].
4. Scroll to the desired *Mass (Totalizer)* units for the totalized mass flow rate display and press [Enter]. The available units for this prompt are determined by the selection made at the *System Units* prompt.
5. Scroll to the desired number of *Mass Dec. Digits* (digits to the right of the decimal point in the totalized mass flow rate display) and press [Enter].
6. After completing the above steps, the XGM868i returns to the Global PROGRAM window. Press [Escape] and scroll to CH1 or CH2 to continue setup programming.

2.5 Activating a Channel

The Channelx-ACTIV submenu permits selection of the desired measurement method. In addition, it is used to activate/deactivate one or both of the channels in a 2-Channel Model XGM868i.

To access the Channelx-ACTIV submenu:

1. From the *Keypad Program*, scroll to CH1 or CH2 and press [Enter].
2. In the Channel PROGRAM menu, scroll to ACTIV and press [Enter].
3. Scroll to *Burst* to activate the channel/path, and press [Enter].

Note: *Burst is automatically selected for a 1-Channel meter.*

4. Scroll to one of the measurement methods described below and press [Enter].
 - *Skans Only* is the preferred technique for locating the acoustic signal and for high velocity measurements. It is more robust in a noisy environment than the Measure technique.
 - *Skans/Measure* is the preferred technique to use for low velocity measurements.

If *Skans Only* is selected at the above prompt, the meter uses this technique exclusively. However, if *Skans/Measure* is selected, the meter uses *Skans Only* to find the acoustic signal and then tries to use the *Skans/Measure* technique for the actual measurement.

After completing the above step, the meter returns to the Channel PROGRAM window. Proceed to the next section to continue programming your meter.

2.6 Entering System Data for the Channel

The Channelx-System submenu is used to enter system parameters for the channel.

2.6.0a Accessing the Channelx-System Submenu

1. From the Channel PROGRAM menu, scroll to SYSTM and press [Enter].
2. The first prompt asks for the *Channel Label*. Use the four scrolling keys to enter the desired label (in any numeric or text combination up to five characters), and press [Enter].
3. The next prompt asks for the *Channel (Site) Message*. Enter the desired text in the same manner as the channel label with up to 15 characters, and press [Enter].

2.6.0b Selecting Volumetric Units

1. Scroll to the desired *Volumetric Units* for the flow rate display and press [Enter]. Available units are listed in Table 8 below.
2. Scroll to the desired *Volumetric Time* units for the flow rate display (from seconds to days) and press [Enter].
3. Scroll to the desired number of *Vol Decimal Digits* (digits to the right of the decimal point in the volumetric flow rate display) and press [Enter].

Table 8: Available Volumetric/Totalizer Units

English	Metric
ACF = Actual Cubic Feet	ACM = Actual Cubic Meters
KACF = Thousands of ACF	KACM = Thousands of ACM
MMACF = Millions of ACF	MMACM = Millions of ACM
SCF = Standard Cubic Feet	SCM = Standard Cubic Meters
KSCF = Thousands of SCF	KSCM = Thousands of SCM
MMSCF = Millions of SCF	MMSCM = Millions of SCM

2.6.0c Selecting Totalizer Units

1. Scroll to the desired *Totalizer Units* for the totalized flow rate display and press [Enter]. Available units are listed in Table 8.
2. Scroll to the desired number of *Tot Decimal Digits* (digits to the right of the decimal point in the totalized flow rate display) and press [Enter].
3. Do one of the following:
 - If MASS FLOW is ON, proceed to *Selecting Mass Flow Units* on page 37.
 - If MASS FLOW is OFF, the meter returns to the Channel PROGRAM window. Proceed to *Entering Transducer and Pipe Parameters* on page 37.

Note: To activate mass flow, see *Activating Mass Flow in Chapter 1* of the Programming Manual.

2.6.0d Selecting Mass Flow Units

1. Scroll to the desired *Mass Flow* units for the flow rate display and press [Enter]. The available units for this prompt are determined by the selection made at the *System Units* prompt. See Table 9 below.

Table 9: Available Mass Flow Units

English	Metric
LB = Pounds	Kilograms
KLB = Thousands of LB	Metric Tons (1000 KG)
MMLB = Millions of LB	
Tons (2000 LB)	

2. Scroll to the desired *Mass Flow Time* units for the mass flow rate display and press [Enter].
3. Scroll to the desired number of *Mdot Decimal Digits* (digits to the right of the decimal point in the mass flow rate display) and press [Enter].
4. Scroll to the desired *Mass (Totalizer)* units for the totalized mass flow rate display and press [Enter]. The available units for this prompt are determined by the selection made at the *System Units* prompt.
5. Scroll to the desired number of *Mass Dec. Digits* (digits to the right of the decimal point in the totalized mass flow rate display) and press [Enter].

After completing the above steps, the XGM868i returns to the Channel PROGRAM window. Proceed to the next section to program transducer and pipe parameters.

2.7 Entering Transducer and Pipe Parameters

Enter the transducer and pipe parameters via the PIPE submenu.

1. From the Channel PROGRAM menu, scroll to the PIPE option and press [Enter].
2. The first prompt asks for the *Transducer Number*.
 - For a standard transducer, use the arrow keys to enter the number engraved on the transducer head, and press [Enter].
 - If there is no number engraved on the transducer head, press the right arrow key to scroll to the *STD* option, and use the up and down arrow keys to change to *SPEC*. Then use the arrow keys to enter an assigned number (from 91 to 99), and press [Enter].

IMPORTANT: *Special transducers, which have no engraved number on the head, are rarely used. Examine the transducer head carefully for a number.*

- If you entered the number for a standard transducer, proceed to the *Pipe OD* prompt in step 5.
- If you entered the number for a special transducer, proceed to step 3 below.

2.7.1 Special Transducers

3. Scroll to the transducer *Frequency* (supplied by the factory) and press [Enter].

Note: *The frequency is required to transmit an excitation voltage at the transducer's natural frequency.*

4. Enter the special transducer *Tw* (time delay) value (supplied by the factory) and press [Enter].

Tw is the time required for the transducer signal to travel through the transducer and its cable. This time delay must be subtracted from the transit times of the upstream and downstream transducers to ensure an accurate measurement.

2.7.2 Pipe Data

If either a standard or a special transducer is being used, the programming sequence should be rejoined at this point.

5. To select the appropriate *Pipe OD Unit* type from the list shown in Table 10 below, scroll to the right side of the screen, and use the up and down arrow keys to step through the list. Press [Enter]. Then use the arrow keys to enter the known pipe outside diameter or circumference on the left side and press [Enter].

Obtain the required information by measuring either the pipe outside diameter (OD) or circumference at the transducer installation site. The data may also be obtained from standard pipe size tables found in *Sound Speeds and Pipe Size Data* (914-004).

Table 10: Available Pipe OD Units

English	Metric
inch	mm = millimeters
feet	m = meters
in/PI = pipe circumference in inches	mm/PI = pipe circumference in millimeters
ft/P I= pipe circumference in feet	m/PI = pipe circumference in meters

6. Use the arrow keys to enter the known *Pipe Wall Thickness* (in inches or mm) and press [Enter]. If the pipe wall thickness is not available, look up the value in a table of standard pipe size data which can be found in the *Sound Speeds and Pipe Size Data* manual (914-004).

2.7.2a Path and Axial Lengths

7. To enter the *Path Length*:
 - a. Use the [▷] arrow key to highlight the path length unit type at the right of the screen. Then use the [△] and [▽] arrow keys to scroll to the desired unit type.
 - b. Use the [◁] arrow key to return to the numeric entry on the left, and enter the path length of the ultrasonic signal. Press [Enter].

Note: *If a spoolpiece was ordered with the meter, the transducer signal path length (P) and the transducer signal axial length (L) are engraved on the flowcell and/or are included in the documentation supplied with the meter. For on-site transducer installations, refer to Appendix C, Measuring P and L Dimensions.*

2.7.2a Path and Axial Lengths (cont.)

8. In the same manner, enter the appropriate *Axial Length L* unit type and axial length of the ultrasonic signal, and press [Enter].
9. Scroll to the desired *Fluid Type* and press [Enter]. Then do one of the following:
 - If OTHER was selected - proceed to Step 10.
 - If AIR was selected - proceed to Step 11.
10. Use the arrow keys to enter the *Fluid Soundspeed* (in feet per second) in the gas to be measured and press [Enter].
11. Scroll to the appropriate choice to indicate whether you want *Reynolds Correction*, and press [Enter].
 - If *Off* is selected, go to Step 12.
 - If *On* is selected, the program asks for the *Kinematic Viscosity*. Use the arrow keys to enter the desired value, and press [Enter].
12. Use the arrow keys to enter a value for the flow *Calibration Factor* and press [Enter]. The default value is 1.00, but values between 0.50 and 2.0 may be entered.

2.7.2b Procedure Options

After completing the above steps, the XGM868i returns to the Channel PROGRAM window. Press [Escape] twice to return to the meter display. Then proceed to Chapter 3, *Operation*, for instructions on taking measurements, or refer to the *Programming Manual* for instructions on programming the Model XGM868i's advanced features.

[no content intended for this page]

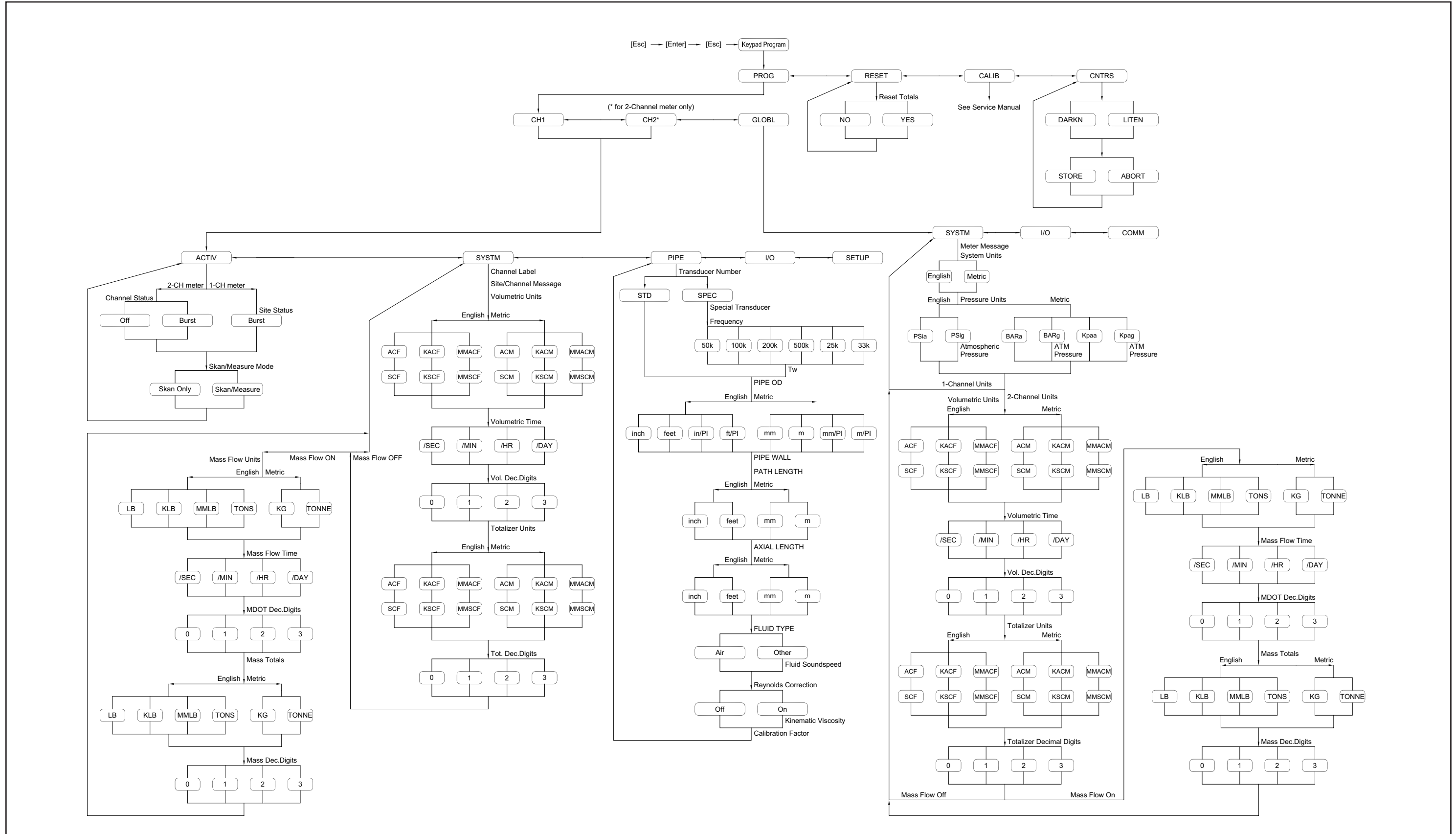


Figure 15: Model XGM868i Initial Setup Menu Map

[no content intended for this page]

Chapter 3. Operation

3.1 Introduction

See Chapter 1, *Installation*, and Chapter 2, *Initial Setup*, to prepare the Model XGM868i system for operation. When the meter is ready to take measurements, proceed with this chapter. The following specific topics are discussed:

- Powering Up
- Using the Display
- Taking Measurements
- Recording Diagnostics

Note: *All inputs and outputs of the Model XGM868i are calibrated at the factory, prior to shipment. If it becomes necessary to recalibrate any of the inputs and/or outputs, see Chapter 1, Calibration, of the Service Manual for instructions.*

WARNING! To ensure the safe operation of the Model XGM868i, it must be installed and operated as described in this manual. In addition, be sure to follow all applicable local safety codes and regulations for the installation of electrical equipment.

3.2 Powering Up

Because the Model XGM868i does **not** have an ON/OFF switch, it will power up as soon as the connected power source is energized.

Note: *For compliance with the European Union's Low Voltage Directive (2006/95/EC), this unit requires an external power disconnect device such as a switch or circuit breaker. The disconnect device must be marked as such, clearly visible, directly accessible, and located within 1.8 m (6 ft) of the Model XGM868i.*

There are three methods for obtaining readings from the XGM868i:

- Built-in LCD display
- PanaView software on a computer
- Device to read the XGM868i's analog output

At least one of the above display options must be installed in order to obtain flow rate readings from the meter.

Immediately upon power up the software version display appears. Then, the meter performs a series of internal checks, which take about 45 seconds, prior to displaying the flow rate data.

Note: *If the Model XGM868i fails any of the internal checks (see Chapter 2, Error Codes, in the Service Manual), try disconnecting the power and then repowering the unit. If the meter continues to fail any of the internal checks, contact the factory for assistance.*

After successfully performing the internal checks, the Model XGM868i begins taking measurements and the software version display is replaced by a measurement mode display. Proceed to the appropriate section for instructions on using the LCD display and the PanaView display option.

Note: *As a minimum, the system and pipe parameters (for each installed channel of a 2-channel meter) must be entered before the Model XGM868i can display valid data. Refer to Chapter 2, Initial Setup, for specific instructions.*

3.3 The LCD Display

The components of the LCD display are shown in Figure 16, along with a typical mass flow rate readout.

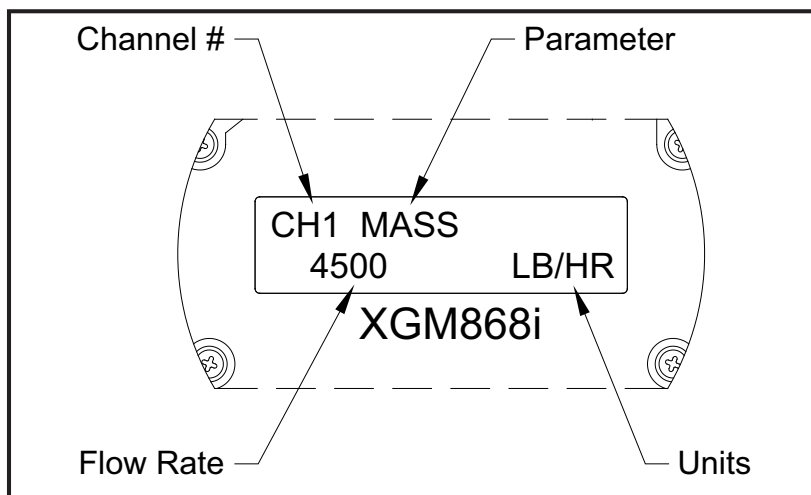


Figure 16: A Typical LCD Flow Rate Display

As shown in Figure 16, the display screen includes the following information:

- Channel Number
- Flow Parameter
- Units of Measure
- Flow Rate Value

The example in Figure 16 uses the default display settings. However, the first three items in the list above may be reprogrammed to display a variety of alternative choices. See the *Programming Manual* for detailed instructions on programming these parameters.

Note: *The LCD backlight flashes to signal errors. If the backlight is off when an error is detected, the display is illuminated briefly; if the backlight is already on, the light is interrupted briefly. Error code messages may appear in the upper right corner of the LCD display. For information about these error codes and how to respond to them, refer to Chapter 2, Error Codes, in the Service Manual.*

Proceed to the *Taking Measurements* section to use the XGM868i.

3.4 The Optional PanaView Display

The components of the PanaView text display appear in Figure 17, along with a typical flow rate readout.

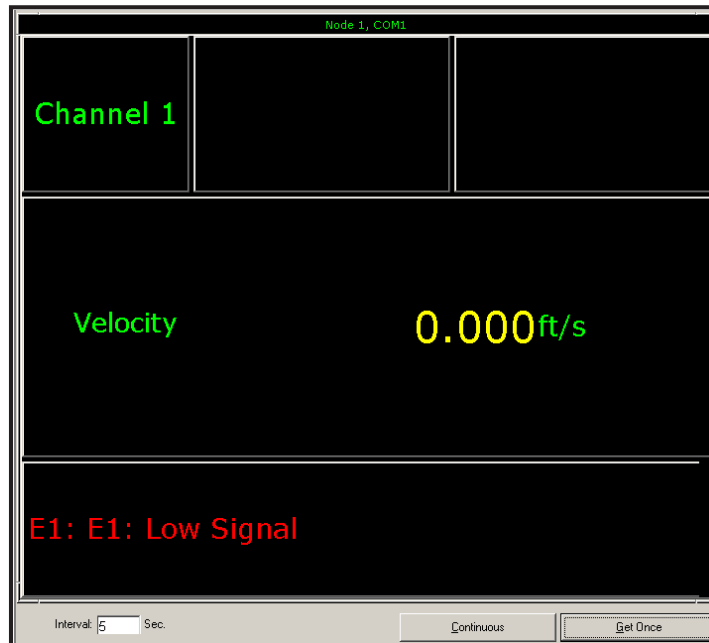


Figure 17: A Typical PanaView Text Display Pane

As shown in Figure 17, the text pane includes the following information:

- Channel Number
- Flow Parameter
- Units of Measure
- Flow Rate Value

The example in Figure 17 is typical, but the first three items in the list above may be reprogrammed to display a variety of alternative choices. See the next section for detailed instructions on programming these parameters.

Note: *Error code messages may appear in the lower left corner of the PanaView text display window. For information about these error codes and how to respond to them, refer to Chapter 2, Error Codes, in the Service Manual.*

Proceed to the *Taking Measurements* section to use the XGM868i.

3.5 Taking Measurements

The Model XGM868i is capable of displaying several different variables in a variety of formats. However, this manual will discuss only the basic measurement displays using the LCD display or the PanaView display. Refer to Chapter 2, *Displaying Data*, in the *Programming Manual* for instructions on setting up alternate choices. Also, refer to the *Programming Manual* and/or the *PanaView User's Manual* to use PanaView or the analog outputs to obtain the flow rate data.

3.5.1 Programming the LCD

Note: *When you first initialize the XGM868i, the number of LCD parameters is set to OFF. You must program the LCD to display any measured parameters.*

Through the *Keypad Program*, you can program the LCD display to display up to four variables in sequence. Complete the following steps to program the LCD display:

1. Power up the XGM868i and wait until it has initialized.
2. Press [Escape], [Enter], [Escape].
3. In the *Keypad Program* window, scroll to PROG and press [Enter].
4. In the PROG menu, scroll to GLOBL and press [Enter].
5. Scroll to I/O and press [Enter].
6. Scroll to LCD and press [Enter].
7. The window now asks for the # of LCD Parameters. Scroll to the desired number (from OFF through 1-4 and KEY) and press [Enter].

The OFF setting switches the measurement display off, while the KEY setting enables users to change the measurement display via the arrow keys, without accessing the *Keypad Program*. If you select KEY:

- To view a parameter other than the one currently displayed, press the [△] or [▽] keys to scroll through the various parameters.
- To scroll through the channel options on a two-channel XGM868i, press the [◀] and [▶] keys until you have reached the desired option.

For a 1-Channel XGM868i, the data for Channel 1 is displayed automatically, and you can skip to step 9. However, for a 2-Channel meter, the channel data to be displayed must be specified at the following prompt.

3.5.1 Programming the LCD (cont.)

8. Scroll to the desired *Channel option*, as listed in Table 11.

Table 11: Channel Options

Option	Description
CH1	Channel 1
CH2	Channel 2
SUM	CH1+CH2
DIF	CH1-CH2
AVE	(CH1+CH2)/2

9. For each channel, select the desired *Measurement Parameter*, as shown in Table 12.

Table 12: Available Measurement Parameters

Option Bar	Description	Good	Bad
VEL	Displays the flow velocity.	N.A.	N.A.
VOLUM	Displays the volumetric flow.	N.A.	N.A.
+TOTL	Displays the forward totalized volume flow.	N.A.	N.A.
-TOTL	Displays the reverse totalized volume flow.	N.A.	N.A.
TIMER	Displays the total flow measurement time.	N.A.	N.A.
MDOT	Displays the mass flow.	N.A.	N.A.
+MASS	Displays the forward totalized mass flow.	N.A.	N.A.
-MASS	Displays the reverse totalized mass flow.	N.A.	N.A.
SS up	Displays the signal strength for the upstream transducer.	50-75	<50 or >75
SS do	Displays the signal strength for the downstream transducer.	50-75	<50 or >75
SNDSP	Displays the measured speed of sound in the gas.	N.A.	N.A.
Tup	Displays the upstream ultrasonic signal transit time.	N.A.	N.A.
Tdown	Displays the downstream ultrasonic signal transit time.	N.A.	N.A.
DELTA	Displays the transit time difference between the upstream and downstream signals.	N.A.	N.A.
Tot K	Displays the total K factor.	N.A.	N.A.
PEAK%	Displays the percentage of peak (set to +50 by default).	N.A.	N.A.
Qup	Displays the signal quality for the upstream transducer.	≥1200	-400 to +400
Qdown	Displays the signal quality for the downstream transducer.	≥1200	-400 to +400
AMPup	Displays the value for the signal amplitude of the upstream transducer.	24 ± 5	<19 or >29
AMPdn	Displays the value for the signal amplitude of the downstream transducer.	24 ± 5	<19 or >29
CNTup	Displays the AGC DAC count for the upstream gain setting.	N.A.	N.A.

Table 12: Available Measurement Parameters (cont.)

Option Bar	Description	Good	Bad
CNTdn	Displays the AGC DAC count for downstream gain setting.	N.A.	N.A.
P#up	Displays signal peaks for the upstream transducer.	100-2300	<100 or >2300
P#dn	Displays signal peaks for the downstream transducer.	100-2300	<100 or >2300
TEMP	Displays the gas temperature (from 0/4-20 mA input).	N.A.	N.A.
PRESR	Displays the gas pressure (from 0/4-20 mA input).	N.A.	N.A.
AcVOL	Displays actual volumetric flow.	N.A.	N.A.
StVOL	Displays standard volumetric flow.	N.A.	N.A.
Tu S ¹	Displays Skan transit time upstream.	N.A.	N.A.
Td S ¹	Displays Skan transit time downstream.	N.A.	N.A.
DT S ¹	Displays Skan Delta T.	N.A.	N.A.
Tu M ¹	Displays Measure transit time upstream.	N.A.	N.A.
Td M ¹	Displays Measure transit time downstream.	N.A.	N.A.
DT M ¹	Displays Measure Delta T.	N.A.	N.A.
Vinst	Displays the instantaneous velocity.	N.A.	N.A.
¹ available only if Burst Mode = S/M			

3.5.1 Programming the LCD (cont.)

Note: *The measurement units that appear in these prompts are those selected in the GLOBL-SYSTM menu earlier in this section. Also, when differences in one channel's programming invalidate an output previously chosen for the other, the measurement defaults to the nearest selectable item in the parameter list.*

The previous two prompts repeat until all of the specified # of LCD Parameters have been set up. When all of the display parameters have been set up, the meter returns to the Global I/O window. To leave the *Keypad Program*, press the [Escape] key three times.

After leaving the *Keypad Program*, the XGM868i will reset itself and will begin to display the parameters specified in this section. If more than one parameter was set up, each of the parameters will be displayed in sequence, with a pause of several seconds between display changes.

3.5.2 Using the LCD Display

To use the programmed LCD display for obtaining flow rate data, simply power on the XGM868i as described earlier in this chapter. Then, read the flow rate directly from the display, as shown in Figure 16 on page 45.

Note: *See Chapter 2, Displaying Data, in the Programming Manual to customize the contents of the LCD display.*

3.5.3 PanaView Display

Power up PanaView, establish communications with the XGM868i and enter the required startup parameters, as described in Chapter 2, *Initial Setup*. Then, proceed as follows:

Note: See Chapter 2, *Initial Setup*, in this manual and/or Chapter 1, *Programming Site Data*, in the Programming Manual for complete instructions on entering startup data via PanaView.

1. In PanaView, pull down the *Output* menu, as shown in Figure 18, and click on the *Text Display* option.

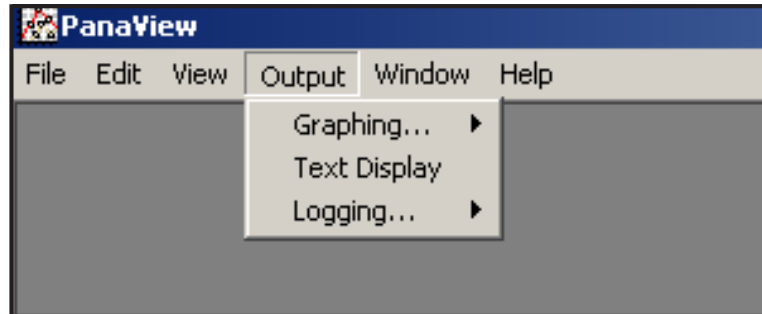


Figure 18: The Output Menu

Note: The *Text Display* window that appears after Step 1 is actually stacked on top of any previously opened windows (such as the *Meter Browser* window).

2. Using the *Window* menu, as described in the *PanaView User's Manual*, arrange the open windows in the desired format. For this discussion, Figure 19 shows the *Text Display* window in its maximized (full-screen) size.

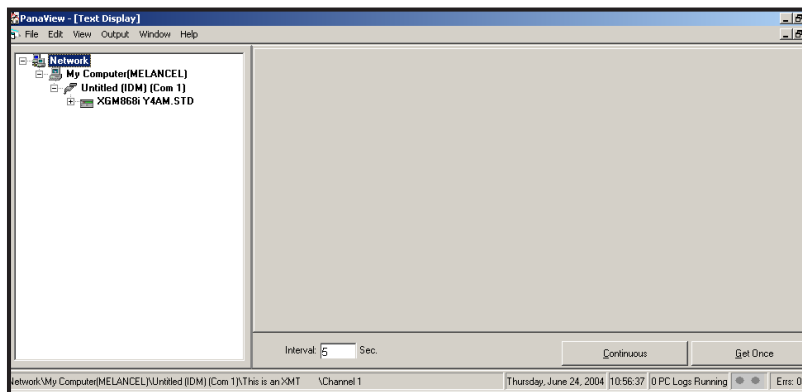


Figure 19: The Text Display Window

3. The left pane of the *Text Display* window contains the standard PanaView network tree. Expand the XGM branch, and double-click on the desired channel. (On 2-channel units, you can also display the SUM, DIFF or AVG parameters.)

3.5.3 PanaView Display (cont.)

4. From the expanded tree, double-click on the desired flow parameter to display it in the right pane of the window.
5. Before actual data values can be displayed in the text pane, activate one of the following data collection modes (see Figure 19 on page 50):
 - Click on the [Get Once] option button at the bottom of the right pane in the *Text Display* window. The current value of the selected process parameter, as specified in the PanaView network tree, is displayed in the right pane of the *Text Display* window.

or

 - Enter an “*interval*” in the text box at the bottom of the right pane in the *Text Display* window, or check the “*Max. Comm Rate*” box to collect readings as fast as the system allows (1 sec). Then, click on the [Continuous] option button to begin collecting data for display in the right pane of the *Text Display* window.

Note: *Any value entered in the “Interval” text box is overridden if the “Max. Comm Rate” box is checked.*

The right pane now appears similar to Figure 17 on page 46.

6. If the [Continuous] option was selected in Step 5, click on the [Stop] option button, which has replaced the original [Continuous] option button, to terminate data collection.

The *Text Display* window may be left open while other tasks are performed, or it may be closed by clicking on the lower [X] control button at the far right of the menu bar.

IMPORTANT: *If you click on the upper [X] control button at the far right of the PanaView title bar, you will exit PanaView completely.*

3.5.3a Displaying Multiple Process Parameters

The procedure for displaying a single process parameter in a text screen may be repeated to simultaneously display multiple process parameters. To do so, proceed as follows:

1. Display the first process parameter in a text screen, as described in the previous section.
2. Repeat Step 1 for any desired additional process parameters, by double clicking on them in the PanaView network tree. PanaView automatically tiles the multiple text screens in the right pane of the *Text Display* window, as shown in Figure 20.

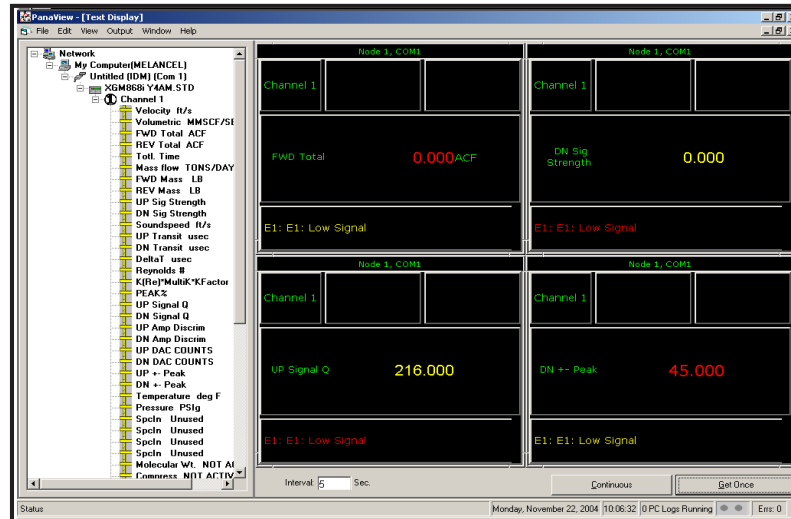


Figure 20: Multiple Text Screens in the *Text Display* Window

3. As in any standard Windows application, the multiple text screens may be resized by dragging their borders. Also, the individual panes within a parameter's text screen may be resized by dragging the borders within that text screen.
4. To close an open text screen, right click anywhere within that screen (except in the title bar or the error section) and click on the [Remove] option that pops up in the context menu.

Note: After resizing or removing any of the multiple text screens, the default tiled layout may be restored by opening the Window menu (see the PanaView User's Manual) and clicking on the Tile Output Displays option.

3.5.3b Displaying Multiple Text Windows

The procedures for displaying one or more process parameters in a single *Text Display* window may be repeated to open multiple *Text Display* windows. To do so, proceed as follows:

1. To open another *Text Display* window and display the desired process parameter(s) in the new window, repeat the steps in *PanaView Display*.
2. Arrange the multiple *Text Display* windows as desired via the *Window* menu (see the *PanaView User's Manual*).

3.5.4 Pausing Measurement

On occasion, it might become necessary for the XGM868i to stop taking measurements. Through *PanaView*, you can direct the XGM868i to pause measurements without cutting off power from the meter.

1. From the meter tree in the *New Meter Browser*, click on the XGM868i entry.
2. Expand the *Edit Functions* option, and double-click on the *Pause Measurement* entry. A window opens similar to Figure 21.

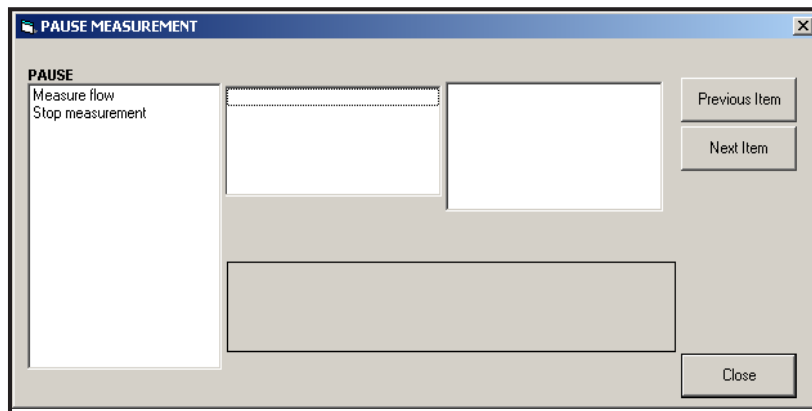


Figure 21: The *Pause Measurement* Window

3. To pause current measurements, double-click on the *Stop measurement* option. The window closes, and the XGM868i stops taking measurements.
4. To restart measurement, double-click on the *Pause Measurement* entry, and then on the *Measure flow* option. The XGM868i resumes flow measurement.

3.5.4a Procedure Options

The *Startup Guide* is intended to provide only those instructions necessary to get the XGM868i installed and operating. By following the instructions in this chapter, the Model XGM868i can be set up to display the desired channel option and the desired measurement parameter, using either the LCD display or PanaView.

To utilize the more advanced capabilities of the Model XGM868i, refer to the *Programming Manual* and/or the *Service Manual* for the instrument. Also, refer to the *PanaView™ User's Manual* for instructions on using the PanaView software with the XGM868i.

Chapter 4. Specifications

4.1 General Specifications

The general specifications for the Model XGM868i flow transmitter are as follows:

4.1.1 Hardware Configuration

4.1.1a Enclosures:

Standard: Epoxy-coated aluminum Type 4X/IP66

Class 1, Division 1, Groups B C and D

Flameproof ISSeP 02ATEX008

 II 2GD EE d IIC T5 IP66 T95°C

Optional: Stainless steel

4.1.1b Physical:

Size: 8.2 in. long x 6.6 in. diameter (208 x 168 mm)

Weight: Al = 10 lb (4.5 kg), SS = 30 lb (13.6 kg)

4.1.2 Environmental

4.1.2a Operating Temperature:

−40° to 140°F (−40° to 60°C)

4.1.2b Storage Temperature:

−67° to 167°F (−55° to 75°C)

4.1.3 Velocity Accuracy

4.1.3a % of Reading:

±1% to 2% of reading typical

Note: Accuracy depends on pipe size and other factors, such as 1-path or 2-path measurement. Accuracy to ±0.5% of reading may be achievable with process calibration.

4.1.4 Velocity Range

4.1.4a Bidirectional:

–150 to –0.1 ft/s (–46 to –0.03 m/s)

0.1 to 150 ft/s (0.03 to 46 m/s)

4.1.5 Rangeability

1500:1

4.1.6 Repeatability

±0.2% to 0.5% of reading

Note: *Specifications assume a fully developed flow profile, with a typical straight run of pipe 20 diameters upstream and 10 diameters downstream, and flow velocity greater than 3 ft/s (1m/s). Accuracy depends on pipe size and other factors.*

4.2 Electrical Specifications

The electrical specifications for the Model XGM868i flow transmitter are as follows:

4.2.1 Power Supply

4.2.1a Options:

Standard: 95 to 240 VAC, 50/60 Hz, ± 10%.

Optional: 12 to 28 VDC, ±5%.

4.2.2 Power Consumption

20 W maximum

4.2.3 Operating Mode

Correlation Transit-Time™ flow measurement

4.2.4 European Compliance

See the *CE Declaration of Conformity* and the *ATEX Certificate of Compliance* at the back of this manual.

4.2.5 Input/Output Specifications

4.2.5a Digital Display:

2-line x 16-character, software-configurable, LCD display with LED backlight

4.2.5b Digital Communications:

Standard: RS232 serial port for PC, Terminal or Printer

Optional: RS485 serial port for multi-user network

RS485 MODBUS Communications

MODBUS/TCP

Ethernet

Foundation Fieldbus

4.2.5c Analog Outputs (built-in):

Two isolated 0/4–20 mA analog outputs, 600 Ω maximum load

4.2.5d Option Cards:

Optional Inputs/Outputs of the following types may be added:

1. *Analog Inputs*: two or four isolated 0/4-20 mA inputs, 24-V loop power.
2. *RTD Inputs*: two or four isolated 3-wire RTD inputs; Span -148° to 662°F (-100° to 350°C)
Inputs of the following types may be used:
 - a. Temp from -40° to 500°F (-40° to 260°C)
 - b. Pressure from 0–3,000 psig
3. *Analog Outputs*: two isolated 0/4–20 mA analog outputs, 1000 Ω maximum load
4. *Data Logging*: 128 kB (expandable to 2 MB) of memory
5. *Totalizer/Frequency Outputs*: two or four optically isolated pulse or frequency outputs, 100 VDC/3 A/1 W/10 kHz max.
Totalizer Mode: one pulse per defined unit of parameter (e.g., 1 pulse/gal).
Frequency Mode: pulse frequency proportional to magnitude of parameter (e.g., 10 Hz = 1 gal/min).
6. *Alarm Relays*: two or four Form-C relays
General Purpose: 120 VAC, 28 VDC max., 5 A max., DC = 30 W max., AC = 60 VA max.

Note: The above optional inputs/outputs are available only in specific combinations. Consult the factory or see Table 14 on page 63 for details.

4.2.6 Preamplifier

Inline preamplifier for long cable lengths or attenuating installations, operating temperature -40° to 140°F (-40° to 60°C)

4.3 Flow Transducer Specifications

The ultrasonic flow transducer specifications for the Model XGM868i flow transmitter are as follows:

4.3.1 Physical

4.3.1a Type

Standard: T9

Optional: BWT™ System

4.3.1b Temperature Range

Standard: -40° to 400°F (-40° to 205°C)

Optional: -310° to 932°F (-190° to 500°C)

4.3.1c Pressure Range

Standard: 0-250 psig (0.1013-1.824 MPa), 750 psig (5.272 MPa) test

Optional: 3,480 psig (24.109 MPa)

4.3.1d Materials

Standard: all metal, titanium

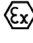
Optional: Monel[®], Hastelloy[®], and 316 stainless steel

4.3.1e Cable Type and Length:

Standard: RG62 a/U coaxial, up to 3 ft (1 m)

Optional: RG62 a/U coaxial, up to 1,000 ft (300 m)

4.3.2 Area Classifications

- Standard: General purpose
- Optional: Weatherproof Type 4X/IP66
- Optional: Explosion-proof (Class 1, Division 1, Groups B, C & D)
- Optional: Flameproof  II2 GD EEx d IIC T6

4.4 Flowcell Specifications

The flowcell specifications for the Model XGM868i flow transmitter are as follows:

4.4.1 Spoolpiece

4.4.1a Process Connections:

Flanged, welded optional

4.4.1b Transducer Connections:

1-1/2 in., 300 lb. RF flange

600 lb. PanaPort

4.4.2 Cold Tap

4.4.2a Process Connections: NA

4.4.2b Transducer Connections:

PanaPort cold tap kit

Optional: ANSI flanged 150 lb. to 1500 lb.

4.4.3 Pipe Size & Materials

4.4.3a Pipe OD:

2 to 120 in. (50 to 3000 mm) NB and larger.

4.4.3b Materials:

All metals. Consult GE for other materials.

[no content intended for this page]

Appendix A. CE Mark Compliance

A.1 Introduction

For CE Mark compliance, the Model XGM868i flow transmitter must be wired in accordance with the instructions in this appendix.

IMPORTANT: *CE Mark compliance is required only for units intended for use in EEC countries.*

A.2 Wiring

The Model XGM868i must be wired with the recommended cable, and all connections must be properly shielded and grounded. Refer to Table 13 for the specific requirements.

Table 13: Wiring Requirements

Connection	Cable Type	Ground Termination
Transducer	Armored RG62 a/U	Grounded via cable gland.
Input/Output	Armored 22 AWG shielded (e.g. Baystate #78-1197) with armored material added to outside of jacket	Grounded via cable gland.
Power	Armored 14 AWG 3 conductor	Grounded via cable gland.

Note: *If the Model XGM868i is wired as described in this appendix, the unit will comply with the EMC Directive 2004/108/EC.*

[no content intended for this page]

Appendix B. Data Records

B.1 Available Option Cards

The Model XGM868i can hold one option card in Slot 1 and one in Slot 2. The available configurations are listed in Table 14 below.

Table 14: Option Card Configurations

Card #	Slot #	Configuration
1215-02	1	FF - 4 Frequency Outputs
1215-03		TT - 4 Totalizer Outputs
1215-04		FT - 2 Frequency Outputs/2 Totalizer Outputs
1215-05		FO - 2 Frequency Outputs
1215-06		TO - 2 Totalizer Outputs
1215-07		AA - 4 Standard Alarms
1215-09		FA - 2 Frequency Outputs/2 Standard Alarms
1215-11		TA - 2 Totalizer Outputs/2 Standard Alarms
1223-02/1473-02		OI - 2 Current Inputs
1223-03/1473-03		OR - 2 RTD Inputs
1223-04/1473-04		TI - 2 Current Inputs/2 Totalizer Outputs
1223-05/1473-05		TR - 2 RTD Inputs/2 Totalizer Outputs
1223-06/1473-06		FI - 2 Current Inputs/2 Frequency Outputs
1223-07/1473-07		FR - 2 RTD Inputs/2 Frequency Outputs
1223-08/1473-08		AI - 2 Current Inputs/2 Standard Alarms
1223-10/1473-10		AR - 2 RTD Inputs/2 Standard Alarms
1225-13		CO - 2 Current Outputs
1225-14		CF - 2 Current Outputs/2 Frequency Outputs
1225-15		CT - 2 Current Outputs/2 Totalizer Outputs
1225-16		CA - 2 Current Outputs/2 Standard Alarms
1430-03	2	RR - 4 RTD Inputs
1430-04		IR - 2 RTD Inputs/2 Current Inputs
1146-02/1332-02		128 KB Memory
1146-03/1332-03		2 MB Memory
1345-04		Modbus Communications Protocol
1385		HART Communication
1477-03		MODBUS/TCP/IP
1477-01		Ethernet
1475-01		Foundation Fieldbus

B.2 Option Cards Installed

Whenever an option card is installed or changed in the Model XGM868i flow transmitter, record the type of card and any additional setup information in the appropriate row of Table 15 below.

Table 15: Option Cards Installed

Slot #	Type of Option Card	Additional Setup Information
0	Analog Outputs (A, B)	
1		
2		

B.3 Setup Data

After the Model XGM868i flow transmitter has been installed, setup data must be entered via the *User Program* prior to operation. Record that information in Table 16 below.

Table 16: Setup Data

General Information					
Model #			Serial #		
Software Vers.			Setup Date		
Channel - Status					
Channel 1			Channel 2		
Channel Status	Off	Burst	Channel Status	Off	Burst
Measure Mode	Skon	S/M	Measure Mode	Skon	S/M
Channel - System					
Channel Label			Channel Label		
Site/Channel Msg.			Channel Message		
Vol. Units			Vol. Units		
Vol. Time Units			Vol. Time Units		
Vol. Dec. Digits			Vol. Dec. Digits		
Totalizer Units			Totalizer Units		
Tot. Dec. Digits			Tot. Dec. Digits		
Mass Flow			Mass Flow		
Mass Flow Time			Mass Flow Time		
MDOT Dec. Dig.			MDOT Dec. Dig.		
Mass Totalizer			Mass Totalizer		
Mass Dec. Dig.			Mass Dec. Dig.		
Channel - Pipe Parameters					
Channel 1			Channel 2		
Trans. Type	STD	SPEC	Trans. Type	STD	SPEC
Transducer #			Transducer #		
Spec. Trans. Freq.			Spec. Trans. Hz		
Spec. Trans. Tw			Spec. Trans. Tw		
Pipe O.D.			Pipe O.D.		
Pipe Wall			Pipe Wall		
Path Length (P)			Path Length (P)		
Axial Length (L)			Axial Length (L)		
Fluid Type	Air	Other	Fluid Type	Air	Other
Other/Sndspd			Other/Sndspd		
Calibration Factor			Calibration Factor		

Table 16: Setup Data (cont.)

Channel - Input/Output						
Zero Cutoff				Zero Cutoff		
Temp. Input				Temp. Input		
Base Temp.				Base Temp.		
Pressure Input				Pressure Input		
Base Pressure				Base Pressure		
Low Press. Switch	No	Yes		Low Press. Switch	No	Yes
Pressure Limit				Pressure Limit		
Channel - SETUP - V Averaging						
Response Time				Response Time		
Channel - SETUP - Advanced Features - Multi K Factors						
K-Factor #	Velocity	K-Factor		K Factor #	Velocity	K-Factor
1				1		
2				2		
3				3		
4				4		
5				5		
6				6		
7				7		
8				8		
9				9		
10				10		
11				11		
12				12		
13				13		
14				14		
15				15		
16				16		
17				17		
18				18		
19				19		
20				20		
Channel - SETUP - Advanced Features - Mass Flow Calculation						
Mass Flow	Yes	No		Mass Flow	Yes	No
Density Type	Fluid Dens.	Mole. Wgt.		Density Type	Fluid Dens.	Mole. Wgt.
Qact or Qstd?	Actual	Standard		Qact or Qstd?	Actual	Standard
Fluid Density				Fluid Density		
Mole. Weight				Mole. Weight		

Table 16: Setup Data (cont.)

<i>Global - System</i>						
Meter Message				Totalizer Units		
System Units	English	Metric		Tot. Dec. Digits		
Pressure Units				Mass Flow		
Atmos. Pressure				Mass Flow Time		
Vol. Units				MDOT Dec. Digit		
Vol. Time Units				Mass Totals		
Vol. Dec. Digits				Mass Dec. Digits		
<i>Global - Input/Output - Error Handling</i>						
Error Handling			2-Path Error	No	Yes	
<i>Global - Communications Port</i>						
Meter Address				MOD. Parity		
Baud Rate				MOD. Stop Bits		
MOD. Baud Rate				MOD. Address		

[no content intended for this page]

Appendix C. Measuring P and L Dimensions

C.1 Introduction

When programming the PIPE menu in the Model XGM868i's *User Program*, the *path length* (P) and the *axial dimension* (L) must be entered. These parameters are determined by measurements on the actual transducer installation, with P equal to the face-to-face distance between the transducers and L equal to the axial distance between the centers of the transducer faces.

The accuracy of the programmed P and L values is critical to precise flow rate measurements. If GE supplies the flowcell for the system, the correct values will be included in the documentation supplied with the system. For transducers installed on an existing pipe (see Figure 22 on page 70), P and L must be measured at the site. This appendix provides instructions for properly determining these dimensions.

C.2 Measuring P and L

Whenever possible, physically measure the face-to-face distance (P) and the axial distance (L) between the centers of the flat faces of the transducers. Refer to Figure 22 on page 70 for an illustration of the proper distances to measure, in a typical installation.

In some situations only one of the required distances can be directly measured. When this happens, a knowledge of the installation angle (θ) of the transducers, permits the second distance to be calculated from Equation C-1

$$\cos\theta = \frac{L}{P} \quad (C-1)$$

As an example, assume that the transducer installation angle is known to be 45° and the L distance is measured to be 10.00 inches. Then, the P distance is calculated to be $P = 10.00/0.707 = 14.14$ inches.

With a Bias 90° transducer installation, it sometimes happens that the only known parameters are the transducer angle (θ) and the centerline distance between the transducer bodies (CL). In these cases, it is still possible to calculate P and L by combining Equation C-1 with the additional Equation C-2 (see Figure 22 on page 70):

$$P = CL - 1.2 \quad (C-2)$$

Standard GE 90° transducers have the face offset from the centerline of the body by 0.6 inches. Thus, a pair of transducers has a total offset of 1.2 inches, as indicated in Equation C-2. For example, suppose that the transducer installation angle is 30° and CL is measured to be 12.00 inches. Then, $P = 12.00 - 1.2 = 10.80$ inches and $L = 10.80 \times 0.866 = 9.35$ inches.

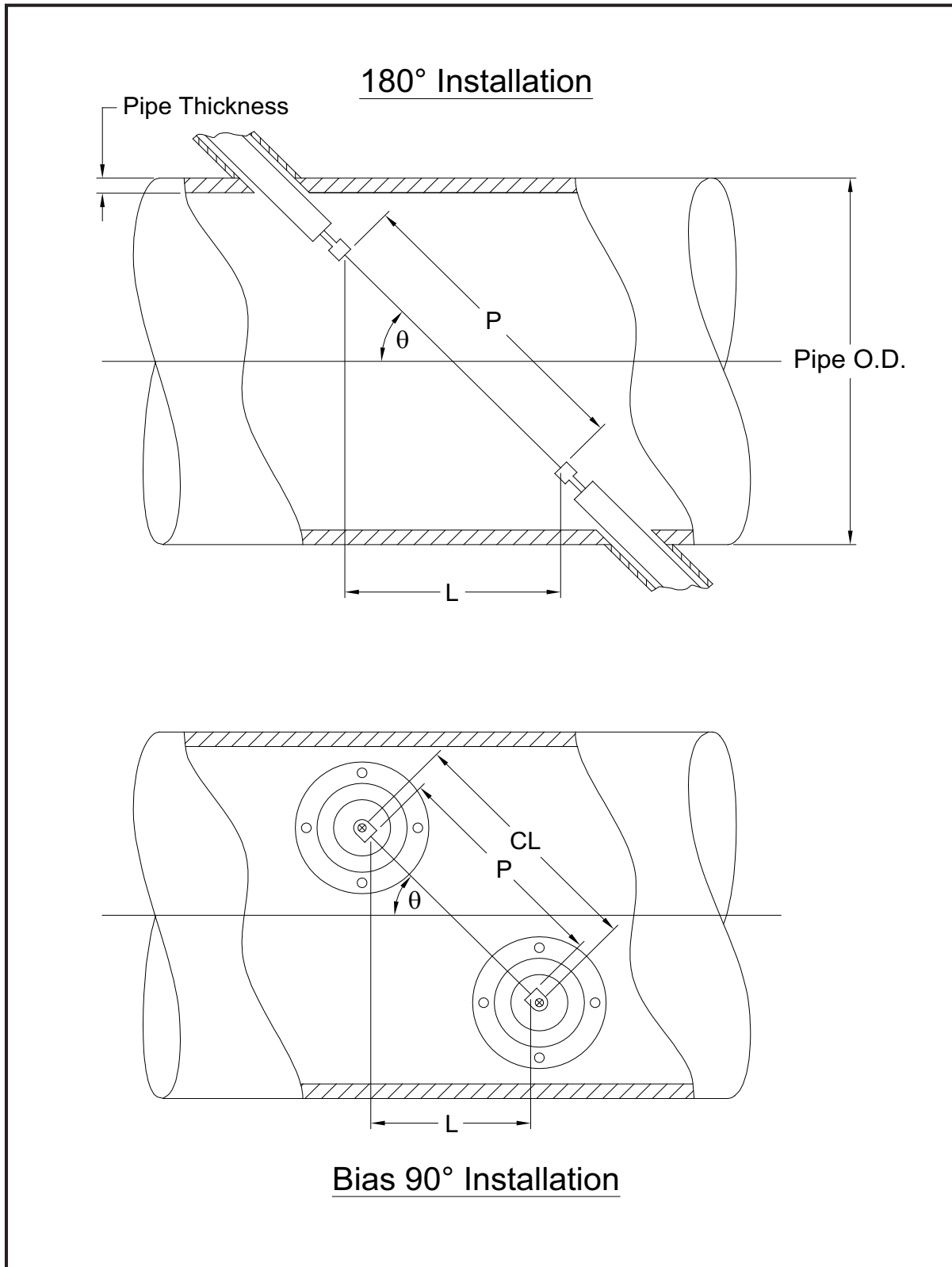


Figure 22: Top View of Typical Transducer Installations

Symbols		D	
+MASS	48	Data Logging Option Card	21
+TOTL	48	DELTA	48
A		Display Data	44
Activating a Channel	35	Down Arrow Key	30
AcVOL	49	DT M	49
Alarms Option Card		DT S	49
Connecting	15	E	
Fail-Safe Operation	15	Electrical Connectors	5
Pin Assignments	15	Electronics Console	
AMPdn	48	Description	2
AMPup	48	Mounting	5
Analog Inputs Option Card		Enter Key	30
Connecting	16	Environmental Compliance	iv
Pin Assignments	16	Error Codes	45, 46
Rating	16	Escape Key	30
Analog Outputs (Slot 0)		Ethernet, Wiring	20
Connecting	10	F	
Analog Outputs Option Card		Flowcell	
Connecting	18	Description	3
Arrow Keys	30	Installing	4
Axial Dimension, Measuring	69	Fluid Soundspeed	39
Axial Length	39	Fluid Type	39
C		Fluid Type, Entering	39
Cable		Fuse Ratings	56
Serial Port	12	G	
Transducers	3, 9	Global	
CE Mark Compliance	61	Menu	32
Channel Label	36	Submenus	32
Channel Message	36	Global Menu	
Channel System Data		LCD Option	47
Accessing the Submenu	36	Global System Data	
Entering	36	Mass Flow Units	34
Mass Flow Units	37	Totalizer Units	33
Totalizer Units	36	GLOBL Menu	32
Volumetric Units	36	GLOBL-SYSTM Submenu	32
Channel, Activating	35	I	
CNTdn	49	I/O (Global) Submenu	
CNTup	48	LCD Option	47
Connectors, Electrical	5	Information Paragraphs	iii

Initial Setup			
Data Table	65		
Minimum Required	29		
Input Voltage	7		
Installation			
Site Considerations	2		
Unpacking	1		
Internal Tests	44		
		K	
Keypad Program			
Entering	31		
Exiting if Unused	31		
LCD Option	47		
KV Input Selection	39		
		L	
LCD Option	47		
Left Arrow Key	30		
Lightning Protector, Connecting	9		
Liquid Crystal Display (Transmitter)			
Setting Up	47		
LVD Statement	2		
		M	
Magnetic Keypad, Using	30		
-MASS	48		
Mass Flow Data, Entering	34		
Mass Flow Units	37		
MDOT	48		
Measurement Parameters	48		
Measurements	47		
Displaying	44		
Taking	44		
Menus, Output	50		
MODBUS	19		
MODBUS/TCP, Wiring	20		
Multiple Parameter Text Displays	52		
Multiple Text Windows	53		
		O	
Option Cards			
Alarms	15		
Analog Inputs	16		
Analog Outputs	18		
Data Logging	21		
RTD Inputs	18		
Setup Information Table	64		
Totalizer/Frequency Outputs	17		
Types Available	63		
Wiring	14		
Output Menu	50		
		P	
P#dn	49		
P#up	49		
PanaView, Displaying Data in	46		
Path Length, Measuring	69		
Pausing Measurement	53		
PEAK%	48		
Pipe OD, Programming	38		
Pipe Parameters			
Axial Length	39		
Entering	37		
OD/Circumference	38		
Path Length	38		
Special Transducer Number	38		
Wall Thickness	38		
Power			
Connecting	7		
Terminal Block	7		
Powering Up			
Display	44		
Internal Checks	44		
Preamplifier	58		
Connecting	9		
PRESR	49		
Pressure Transmitter			
Installing	4		
Location	3		
		Q	
Qdown	48		

Qup	48	Td S	49
R		Tdown	48
Return Policy	75	TEMP	49
Right Arrow Key	30	Temperature Transmitter	
RS232 Port		Installing	4
See Serial Port		Location	3
RS485 Serial Port		RTD	4
MODBUS	19	Terminal Block	
RTD Inputs Option Card		Analog Outputs - I/O	10
Connecting	18	Power - TB1	7
RTD Temperature Transmitter	4	Serial Port - RS232	11, 13
S		Transducers - CH1/CH2	9
Safety		TIMER	48
Auxiliary Equipment	iii	Tot K	48
General Issues	iii	Totalizer Units	36
Personal Equipment	iv	Totalizer/Frequency Option Card	
Serial Port		Connecting	17
Cable	12	-TOTL	48
Connecting	11, 13	Tracking Windows, Activating	39
Pin Assignments	11, 13	Transducer and Pipe Parameters, Entering	37
Site Considerations	2	Transducer Number	37
Slot 0		Transducer Parameters, Programming	37
See Analog Outputs (Slot 0)		Transducers	
SNDSP	48	180° Installation	69
Special Transducers, Entering Number	38	Axial Dimension	69
Specifications		Bias 90° Installation	69
Electrical	56	Cables	3, 9
Flowcell	59	Connecting	9
General	55	Installation Angle	69
Transducer	58	Location	3
SS do	48	Path Length	69
SS up	48	Special, Entering Number	38
StVOL	49	Transmitter	
System (Global) Submenu	32	LCD, Setting Up	47
System Data		See Temperature or Pressure Transmitter	
Entering Channel	36	Tu M	49
Entering in GLOBL Menu	32	Tu S	49
System Units		Tup	48
in GLOBL-SYSTM Submenu	32	U	
T		Unpacking	1
Td M	49	Up Arrow Key	30

V

VEL 48
Vinst. 49
Voltage, Input 7
VOLUM..... 48

W

Warranty 75
WEEE Directive iv
Windows
 Resizing 52
 Tiling 52
Wiring
 CE Mark Compliance..... 61
 Option Card See Card Name
 Terminal Block..... See Block Name

Warranty

Each instrument manufactured by GE Sensing is warranted to be free from defects in material and workmanship. Liability under this warranty is limited to restoring the instrument to normal operation or replacing the instrument, at the sole discretion of GE Sensing. Fuses and batteries are specifically excluded from any liability. This warranty is effective from the date of delivery to the original purchaser. If GE Sensing determines that the equipment was defective, the warranty period is:

- one year from delivery for electronic or mechanical failures
- one year from delivery for sensor shelf life

If GE Sensing determines that the equipment was damaged by misuse, improper installation, the use of unauthorized replacement parts, or operating conditions outside the guidelines specified by GE Sensing, the repairs are not covered under this warranty.

The warranties set forth herein are exclusive and are in lieu of all other warranties whether statutory, express or implied (including warranties or merchantability and fitness for a particular purpose, and warranties arising from course of dealing or usage or trade).

Return Policy

If a GE Sensing instrument malfunctions within the warranty period, the following procedure must be completed:

1. Notify GE Sensing, giving full details of the problem, and provide the model number and serial number of the instrument. If the nature of the problem indicates the need for factory service, GE Sensing will issue a RETURN AUTHORIZATION NUMBER (RAN), and shipping instructions for the return of the instrument to a service center will be provided.
2. If GE Sensing instructs you to send your instrument to a service center, it must be shipped prepaid to the authorized repair station indicated in the shipping instructions.
3. Upon receipt, GE Sensing will evaluate the instrument to determine the cause of the malfunction.

Then, one of the following courses of action will then be taken:

- If the damage is covered under the terms of the warranty, the instrument will be repaired at no cost to the owner and returned.
- If GE Sensing determines that the damage is not covered under the terms of the warranty, or if the warranty has expired, an estimate for the cost of the repairs at standard rates will be provided. Upon receipt of the owner's approval to proceed, the instrument will be repaired and returned.

[no content intended for this page]

Installing GE Measurement & Control Ultrasonic Flow Transmitters in a Potentially Hazardous Area

When installing this apparatus in a potentially hazardous area, the following requirements must be met:

- The installation shall comply with IEC 60079-14.
- Apparatus Markings:
Ex d IIC T6 Gb
- Supply connection wiring shall be rated at least 10°C above rated ambient temperature of 60°C. Cable entries are 3/4" NPT.
- Certificate Number: IECEXFMG12.0011X
Complies with IEC 60079-0: 2011 and IEC 60079-1: 2007
Manufacturer: GE Infrastructure Sensing, Billerica, MA.
- The certification covers the following GE product types — XMT868, XMT868i, XGF868, XGF868i, XGN868, XGN868i, XGS868, XGS868i, XGM868, XGM868i, IGM878 & IGM878i.
- This apparatus is equipment category 2 and may be employed in Zones 1 and 2. It may not be employed in a Zone 0 area. This apparatus is certified for gas hazards only.
- Enclosure Material: Si=95, Mg=0.35%, Mn=0.5%, Al = remainder.
- This apparatus must be securely mounted using the mounting fixtures provided on the enclosure.
- All covers are fitted with a locking device. This device must be tightened after the cover is replaced so as to preserve the protection offered by the enclosure.
- Modifications to the flameproof enclosure are not permitted.
- Cable glands of an approved flameproof design are required. These must be installed according to the manufacturer's instructions. Where the cable glands are provided by GE Sensing, the manufacturer's instructions, as supplied to GE Sensing, will be included in the documentation.
- Connecting cable shall be mounted securely and protected from mechanical damage, pulling and twisting.
- Unused entries must be sealed using a certified threaded plug.
- The apparatus should be de-energized before opening.
- If live working is necessary, the apparatus may only be opened when the surrounding atmosphere is known to be safe. Measures must be taken to ensure that it remains safe while the unit is open, such as a system of hot work permits.
- The apparatus uses standard printed circuit assemblies. Always quote the apparatus serial number when ordering spares.
- This flameproof apparatus is only designed to be installed in a potentially hazardous area. This apparatus has not been designed for use in a safe area, where it would be subject to CD 2006/95/EC (LVD). For a safe area installation, an external mains disconnect must be provided close to this apparatus. If in doubt, consult GE.



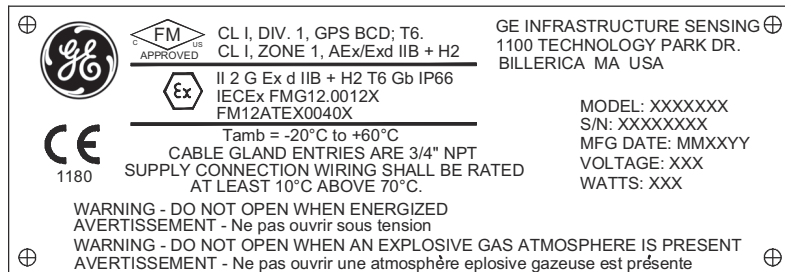
Certification & Safety Statements for GE Measurement & Control Ultrasonic Flow Transmitters

When installing this apparatus, the following requirements must be met:

- Field wiring shall be rated at least 10°C above 70°C.
- Connecting cables shall be mounted securely and protected from mechanical damage, pulling and twisting.
- Cable entries are 3/4" NPT.
- Cable glands of an approved flameproof design are required. These must be installed according to the manufacturer's instructions. Where the cable glands are provided by GE, the manufacturer's instructions, as supplied, to GE, will be included in the documentation.
- Unused cable entries must be sealed using a certified threaded plug.
- Modifications to the flameproof enclosure are not permitted.
- The apparatus should be de-energized before opening.
- Installation should comply with IEC/EN 60079-14.
- Equipment is of type flameproof "d" design and complies with: EN 60079-0:2009, EN 60079-1:2007, EN 60529:1991 +A1:2000, IEC 60079-0:2011, IEC 60079-1:2007, IEC 60529:2001.
- The product contains no exposed parts which produce surface temperature infrared, electromagnetic ionizing, or non-electrical dangers.
- The product must not be subjected to mechanical or thermal stresses in excess of those permitted in the certification documentation and the instruction manual.
- The product cannot be repaired by the user; it must be replaced by an equivalent certified product. Repairs should only be carried out by the manufacturer or by an approved repairer.
- Only trained, competent personnel may install, operate and maintain the equipment
- The product is an electrical apparatus and must be installed in the hazardous area in accordance with the requirements of the EC Type Examination Certificate. The installation must be carried out in accordance with all the appropriate international, national and local standard codes and practices and site regulations for flameproof apparatus and in accordance with the instructions contained in the manual. Access to the circuitry must not be made during operation.

Special Conditions for Safe Use: Consult the manufacturer if dimensional information on the flameproof joints is necessary.

Markings: Markings shall appear on the product as shown below:



We,

GE Sensing
1100 Technology Park Drive
Billerica, MA 01821
USA

declare under our sole responsibility that the

DigitalFlow™ XGF868i Ultrasonic Flare Gas Flow Transmitter
DigitalFlow™ XGM868i Ultrasonic Gas Flow Transmitter
DigitalFlow™ XGN868i Ultrasonic Natural Gas Flow Transmitter
DigitalFlow™ XGS868i Ultrasonic Steam Flow Transmitter
DigitalFlow™ XMT868i Ultrasonic Liquid Flow Transmitter
DigitalFlow™ IGM878i Ultrasonic Industrial Gas Flow Transmitter

to which this declaration relates, are in conformity with the following standards:

- EN 60079-0: 2009
- EN 60079-1: 2007
- II 2 G Ex d IIC T5; ISSeP07ATEX015 (ISSeP, B7340 Colfontaine, Belgium - NoBo 492)
- EN 61326-1: 2006, Class A, Annex A, Continuous Unmonitored Operation
- EN 61010-1: 2012, Overvoltage Category II

following the provisions of Directives 2004/108/EC EMC and 94/9/EC ATEX.

Where products were initially assessed for compliance with the Essential Health and Safety Requirements of the ATEX Directive 94/9/EC using earlier harmonized standards, a subsequent review has determined that "technical knowledge" is unaffected by the current harmonized standards listed above.

Billerica - October 2013

Issued



Mr. Gary Kozinski
Certification & Standards, Lead Engineer



Customer Support Centers

U.S.A.

The Boston Center
1100 Technology Park Drive
Billerica, MA 01821
U.S.A.
Tel: 800 833 9438 (toll-free)
978 437 1000
E-mail: sensing@ge.com

Ireland

Sensing House
Shannon Free Zone East
Shannon, County Clare
Ireland
Tel: +353 (0)61 470200
E-mail: gesensingsnnservices@ge.com

An ISO 9001:2008 Certified Company

www.gemeasurement.com/en/about-us/quality.html

www.gemeasurement.com

©2016 General Electric Company. All rights reserved.
Technical content subject to change without notice.